

PART 16 PARA-CYCLING

Version on 01.02.17

TABLE OF CONTENTS	Page
Chapter I GOVERNANCE	3
Chapter II CATEGORIES	6
Chapter III ELIGIBILITY FOR PARA-CYCLING COMPETITIONS	7
Chapter IV UCI CLASSIFICATION RULES AND REGULATIONS	9
Chapter V PARA-CYCLING DIVISION & SPORT CLASS PROFILES	28
§ 1 Sport Class Profiles	28
Chapter VI PARA-CYCLING WORLD CHAMPIONSHIPS	34
Chapter VII ROAD RACES	35
§ 1 Road Races	35
§ 2 Individual Time Trials	37
§ 3 Team Relay (TR)	39
Chapter VIII TRACK RACES	42
§2 Individual Pursuit	42
§3 Tandem Sprint	43
§4 Team Sprint (TS)	43
§5 Scratch Race	44
Chapter IX WORLD RECORDS	46
Chapter X RACE CLOTHING	49
Chapter XI MEDALS AND JERSEYS FOR UCI PARA-CYCLING WORLD CHAMPIONSHIPS	50
Chapter XII PENALTIES	51

Chapter XIII ANTIDOPING	52
Chapter XIV EQUIPMENT REGULATIONS	53
Chapter XV TANDEM BICYCLE	55
Chapter XVI TRICYCLE	56
Chapter XVII HANDCYCLE	58
Chapter XVIII PARA-CYCLING INDIVIDUAL RANKING	61
Chapter XIX PARA-CYCLING NATIONS' RANKING	64
Chapter XX PARA-CYCLING WORLD CUP	66
Chapter XXI WORLD CHAMPIONSHIPS QUALIFICATION SYSTEM	72
Chapter XXII PARALYMPIC GAMES	73
Chapter XXIII PARA-CYCLING TECHNICAL NOTES	74
Appendix 1	75

PART 16 PARA-CYCLING

Chapter I GOVERNANCE

16.1.001 The International Paralympic Committee (IPC) is the supreme authority governing para-cycling at Paralympic standard where it relates to Paralympic summer Games.

(text modified on 26.06.07)

16.1.002 [article abrogated on 26.06.07]

16.1.003 [article abrogated on 26.06.07]

Viability of events

16.1.004 In para-cycling competitions, except the Paralympic Games and the *World Championships*, an organizer in consultation with the UCI, may mix divisions, sport classes, age groups and gender, as necessary to produce a viable event.

(text modified on 26.06.07; 01.01.09; 01.10.12)

Factored events

16.1.005 In case of factored event (gender and/or sport class), standard performance factors in the table below must be applied to ensure equity between the combined sport classes.

Table of standard performance factors

Division C

C5	Men	100.00 %										
C4	Men	98.12 %	100.00 %									
C3	Men	92.77 %	94.55 %	100.00 %								
C2	Men	89.56 %	91.28 %	96.54 %	100.00 %							
C5	Women	88.06 %	89.75 %	94.92 %	98.33 %	100.00 %						
C4	Women	86.40 %	88.06 %	93.14 %	96.48 %	98.12 %	100.00 %					
C1	Men	85.12 %	86.75 %	91.75 %	95.04 %	96.66 %	98.51 %	100.00 %				
C3	Women	81.69 %	83.26 %	88.06 %	91.22 %	92.77 %	94.55 %	95.97 %	100.00 %			
C2	Women	78.87 %	80.38 %	85.01 %	88.06 %	89.56 %	91.28 %	92.65 %	96.54 %	100.00 %		
C1	Women	74.96 %	76.39 %	80.80 %	83.69 %	85.12 %	86.75 %	88.06 %	91.75 %	95.04 %	100.00 %	

UCI CYCLING REGULATIONS

Division H

H5	Men	100.00 %										
H4	Men	100.00 %	100.00 %									
H3	Men	97.69 %	97.69 %	100.00 %								
H5	Women	88.06 %	88.06 %	90.14 %	100.00 %							
H4	Women	88.06 %	88.06 %	90.14 %	100.00 %	100.00 %						
H3	Women	86.03 %	86.03 %	88.06 %	97.69 %	97.69 %	100.00 %					
H2	Men	82.83 %	82.83 %	84.79 %	94.06 %	94.06 %	96.29 %	100.00 %				
H2	Women	72.94 %	72.94 %	74.66 %	82.83 %	82.83 %	84.79 %	88.06 %	100.00 %			
H1	Men	57.43 %	57.43 %	58.79 %	65.22 %	65.22 %	66.76 %	69.33 %	78.74 %	100.00 %		
H1	Women	50.57 %	50.57 %	51.77 %	57.43 %	57.43 %	58.79 %	61.06 %	69.33 %	88.06 %	100.00 %	

Division T

T2	Men	100.00 %										
T2	Women	88.06 %	100.00 %									
T1	Men	82.35 %	93.52 %	100.00 %								
T1	Women	72.52 %	82.35 %	88.06 %	100.00 %							

Division B

B	Men	100.00 %										
B	Women	88.06 %	100.00 %									

(text modified on 01.02.11; 01.10.12; 01.02.14; 01.01.16)

Medals

16.1.006 For races with fewer than four competitors the «minus one» rule will apply where medals are to be awarded: no medal for one competitor, one medal for two competitors, two medals for three competitors, and three medals for four or more competitors.

However, the abovementioned rule does not apply if the following conditions are fulfilled:

Road Races:

The last athlete meets the minimum performance standard (see tables in art. 16.1.005) corresponding to the third place finisher in the next highest sport class present in the race.

*Comment: A C2 athlete must finish within 96.54 % of the time of the third-place finisher in the next highest sport class (that is, C3) to be awarded a gold, silver or bronze medal, depending on the number of starters.
If there are no competitors in the C3 class, C4 will be considered the next highest sport class. This means the competitor must finish within 91.28 % of the third-place finisher in the C4 sport class to be awarded a medal.*

Division C

C5	Men	100.00 %			
C4	Men	94.55%	100.00 %		
C3	Men	91.28%	94.55 %	100.00 %	
C2	Men	94.55%	91.28 %	96.54 %	100.00 %

Track Races:

The last athlete meets the minimum performance standard according to the percentages below. The minimum performance standard will be calculated based on world records in the sport class concerned.

Individual pursuit	96 % of the world record
Kilo and 500m	97 % of the world record

(article introduced on 01.10.12)

Chapter II CATEGORIES

16.2.001 In para-cycling competitions, except the Paralympic Games, UCI age categories described at article 1.1.034 and the following of the UCI regulations rules shall apply for both men and women. Different age categories may compete together, with the exception of the 'youth' category. In para-cycling combined age competitions, age category awards are not mandatory:

- In para-cycling track and road competitions, the minimum age for the youth category shall be the year of the rider's 14th birthday up to 16th included.
- All road circuits for youth category racing must be completely closed to other traffic.
- Youth category riders shall only compete amongst themselves.
- The completed final entry form for para-cycling competitions for youth category riders shall include a signature of parental (legal guardian) consent for the rider to compete.
- International competitions, except Paralympic Games, are opened to junior and elite UCI age categories.

(text modified on 26.06.07; 01.02.08; 01.02.11)

Open Categories

16.2.002 Able-bodied and non-classified athletes can participate in UCI para-cycling C1 and C2 events in the following Open Categories:

- H-Open 1: able-bodied athletes competing on a recumbent handcycle
- H-Open 2: able-bodied athletes competing on a kneeling handcycle
- T-Open: able-bodied athletes competing on a tricycle

Only able-bodied athletes who hold a valid international cycling license as described at article 16.3.002 are allowed to participate.

Open Categories do not provide any UCI points and there are no rankings. Open Categories' races shall be held in separate starts and riders may not be mixed with classified para-cyclists. The UCI equipment regulations applies to the Open Categories.

(article introduced on 01.02.17)

Chapter III ELIGIBILITY FOR PARA-CYCLING COMPETITIONS

Athletes

- 16.3.001** Only athletes **who meet the Minimum Impairment Criteria** under these rules are eligible for para-cycling competitions.

Tandem pilots who are eligible under articles 16.3.003ss are considered athletes and must obey these regulations except when it concerns classification.

(text modified on 26.06.07; 01.01.09; 01.10.12; 01.07.13; 01.02.17)

- 16.3.002** All athletes, including tandem pilots, must hold a valid international racing license from their UCI recognised national cycling federation. This license must be presented at all para-cycling competitions.

(text modified on 26.06.07)

Tandem Pilots

- 16.3.003** Professional cyclists being members of a UCI registered team may not take part as a tandem pilot.

(text modified on 26.06.07)

- 16.3.004** Cyclists who were members of a UCI World Team or UCI Professional Continental Team must respect a waiting period of 12 months after their contract expires before taking part as a tandem pilot.

This waiting period comes on 1st January the next year after the end of the contract for cyclists who were members of one of the other UCI teams described at article 1.1.041 of the UCI rules.

(text modified on 01.01.09; 01.10.13; 01.01.16)

- 16.3.005** Men and women cyclists over 18 years of age, may race as tandem pilots, provided they have not been selected by their national federation in one of the following events (all disciplines):

- UCI World Championships (except Masters, Para-cycling and Junior) and Olympic Games – at least 12 months preceding the para-cycling event;
- UCI World Cup, regional games and continental championships (i.e. Commonwealth Games, Pan-American Games, Asian Games, Mediterranean Games, European Championships, ...) – the same year of the para-cycling event (except Junior).

(text modified on 26.06.07; 01.01.09; 01.10.11; 01.10.13; 01.01.16)

16.3.006 Each ~~blind or~~ visually impaired athlete is allowed a maximum of one pilot for any para-cycling competition. The athlete and his pilot shall have the same sporting nationality.

(text modified on 26.06.07; 01.01.09; 01.02.11; 01.01.16; 01.02.17)

16.3.007 In the event of an injury or illness and upon presentation of a medical certificate, the pilot may be replaced by another pre-registered pilot up to 24 hours before the official start of the competition in which the tandem is taking part. After this deadline, no change will be allowed.

(article introduced on 01.02.08; text modified on 01.10.12).

Chapter IV **UCI CLASSIFICATION RULES AND REGULATIONS**

(chapter changed on 01.10.10; 01.02.17)

16.4.001 The UCI Classification Rules and Regulations provide a framework within which the process of “Classification” may take place. Athlete Classification (referred to as “Classification” is defined as grouping Athletes into Sports Classes according to how much their Impairment affects the fundamental activities in Cycling. The purpose of Classification is to define who competes in Para-cycling and to ensure that the impact of Eligible Impairment in each event is minimised.

The UCI Classification Rules and Regulations are intended to implement the provisions of the IPC Classification Code for the sport of Para-cycling.

The UCI Classification Rules and Regulations shall apply to:

- All Athletes and Athlete Support Personnel who hold a valid international racing license from their UCI recognised national cycling federation as defined in the UCI Para-Cycling Rules and Regulations;
- All Athletes and Athlete Support Personnel participating in such capacity in Events and Competitions sanctioned by the UCI or any of its members or affiliate organisations or licensees.

It is the personal responsibility of Athletes, Athlete Support Personnel and Classification Personnel to acquaint themselves with all of the requirements of the UCI Classification Rules and Regulations, the UCI Para-cycling Rules and Regulations, the IPC Classification Code (see IPC Handbook, Section 2, Chapter 1.3) and the other sections of the IPC Handbook that apply to Classification.

International Classification

Athlete Evaluation that is conducted in full compliance with the UCI Classification Rules and Regulations is referred to as International Classification. The UCI will only recognise a Sport Class and Sport Class Status if allocated by way of International Classification.

The UCI will provide Athletes with an opportunity to undertake International Classification by appointing Classifiers certified to conduct Athlete Evaluation at UCI Para-cycling Competitions, and by providing reasonable notice of such International Classification opportunities to Athletes and National Federations.

An Athlete will only be permitted to undergo International Classification if he or she:

- Holds a valid UCI international racing license pursuant to the relevant provisions in the UCI Para-cycling Rules and Regulations, and
- Has been entered into and competes in the UCI Para-cycling Competition where International Classification is to take place.

Interpretation, Commencement and Amendment

The UCI Classification Rules and Regulations shall be interpreted and applied at all times in a manner that is consistent with the International Paralympic Committee (IPC) Classification Code.

(text modified on 01.07.13; 01.02.17)

16.4.002 Para-cycling Sport Classes

Handcycle	Tricycle	Cycle	Tandem
H1	T1	C1	B
H2	T2	C2	
H3		C3	
H4		C4	
H5		C5	

The UCI recommends to use the codes below on UCI para-cyclists licenses:

Tandem	MB	WB
Handcycle H1	MH1	WH1
Handcycle H2	MH2	WH2
Handcycle H3	MH3	WH3
Handcycle H4	MH4	WH4
Handcycle H5	MH5	WH5
Tricycle T1	MT1	WT1
Tricycle T2	MT2	WT2
Cycle C1	MC1	WC1
Cycle C2	MC2	WC2
Cycle C3	MC3	WC3
Cycle C4	MC4	WC4
Cycle C5	MC5	WC5

The rider's code is read as follows:

- 1st letter: gender
- 2nd – 3rd letter and number: sport class

(text modified on 01.02.14)

Classification Personnel

16.4.003 Classifiers are trained and certified by the UCI in compliance with the International Paralympic Committee (IPC) Classification Code and the International Standard for Classification and Training.

Head of Classification

The Head of Classification is a person appointed by the UCI to be responsible for the direction, administration, co-ordination and implementation of Classification matters for Para-cycling. The UCI may delegate the role of Head of Classification to another person, or group of persons, to act as the Head of Classification. If not a certified Classifier, the Head of Classification will work closely together with experienced Classifiers in Para-cycling. If certified as a Classifier, the Head of Classification may also be appointed as a Classifier and/or Chief Classifier.

Chief Classifier

The Chief Classifier is a Classifier appointed by the UCI to direct, administer, co-ordinate and implement Classification matters for a specific Competition according to the UCI Classification Rules and Regulations.

Classifier

A Classifier is a person authorised as an official by the UCI to evaluate Athletes as a member of a Classification Panel in accordance with the UCI Para-Cycling Rules and Regulations and the International Standard for Athlete Evaluation. The UCI will specify the means by which it shall certify Classifiers.

Trainee Classifiers

A Trainee Classifier is a person who is in the process of formal training to become a Classifier for the UCI. The UCI may appoint Trainee Classifiers to participate in some or all components of Athlete Evaluation under the supervision of a Classification Panel to develop the necessary Classifier competencies in order to be certified by the UCI as a Classifier.

Classifier Competencies

The UCI certifies Classifiers who have the qualifications and competencies relevant to conduct Athlete Evaluation in respect of Athletes with a Physical Impairment or a Visual Impairment.

The UCI requires Classifiers to have one of the below qualifications in order to be considered for certification as UCI Classifier:

Classification for Athletes with a Physical Impairment

Medical Classifier: a certified health professional in a field relevant to the Impairment category which the UCI at its sole discretion deems acceptable, e.g. a medical doctor or physiotherapist who has knowledge and experience in dealing with people with physical impairments such as spinal cord lesions, locomotor impairments and neurological impairments as defined by the sport class profiles, and who are trained to assess muscle strength, range of motion, balance and coordination.

Technical Classifier: sport specific and/or technical experts with an extensive background in the sport of cycling, e.g. certified coaches, bike fit experts, experts in human movement science or equivalent with the ability to analyse gait and assess the Athlete on the bicycle/tricycle/handcycle, which the UCI at its sole discretion deems to be acceptable.

Classification for Athletes with a Visual Impairment

Ophthalmologists and optometrists trained and certified by the International Blind Sports Association (IBSA) or the International Paralympic Committee (IPC) .

All Classifiers must have a thorough understanding of the UCI Para-cycling Rules and Regulations and an understanding of the International Paralympic Committee (IPC) Classification Code and the International Standards for classification and training.

All Classification Personnel must comply with the behavioural and ethical standards mandated in the IPC Code of Ethics and the UCI Classifier Code of Conduct. If any Classification Personnel is found to have breached the terms of either the IPC Code of Ethics or the UCI Classifier Code of Conduct, the UCI will have sole discretion to withdraw any applicable certification or authorisation.

(text modified on 01.05.16; 01.02.17)

Classification Panels

16.4.004

A Classification Panel is a group of Classifiers appointed by the UCI to determine Sport Class and Sport Class Status in accordance with the UCI Classification Rules and Regulations.

A Classification Panel for athletes with a Physical Impairment consists of two UCI accredited classifiers: a medical classifier and a technical classifier. At the discretion of the Head of Classification, a medical classifier may fill the role of a technical classifier if he/she has dual certification.

A Classification Panel for athletes with a Visual Impairments consists of two IPC/IBSA International Classifiers who specialise in Ophthalmology or Optometry.

A Classification Panel may at any stage seek medical, technical or scientific opinion, with the agreement of the Head of Classification and/or a Chief Classifier. This expertise may only be sought if the Classification Panel feels that such expertise is necessary in order to allocate a Sport Class.

Classification Personnel must have no significant relationship with any athlete, athlete or Athlete Support Personnel present at a competition or otherwise that might create any actual, perceived or potential bias or conflict of interest. Classification Personnel must disclose to the UCI any actual, perceived or potential bias or conflict of interest that may be relevant to their appointment as a member of any Classification Panel.

Members of a Classification Panel may not have any other official responsibilities within a competition other than in connection with classification.

In exceptional circumstances, the Chief Classifier may decide that a Classification Panel consists of one Classifier only, subject to the restriction that such a Classifier must possess a medical qualification. A Classification Panel consisting of one Classifier may only allocate a Sport Class designated with Sport Class Status Review (R).

Classification Master List

UCI maintains a Classification Master List of all athletes. A web list is available on the UCI website at www.uci.ch. The web list details the country, athlete's name, date of birth, division, sport class and sport class status. It is updated after each major competition within 30 days.

(text modified on 01.02.17)

National Federations

- 16.4.005** It is the National Federation's responsibility to ensure that athletes are classified at a national level before competing.

Athlete Evaluation

- 16.4.006** Athlete Evaluation is the process by which an Athlete is assessed in accordance with the UCI Classification Rules and Regulations in order to be allocated a Sport Class and a Sport Class Status.

Athlete Evaluation encompasses:

- a) An assessment to determine whether the Athlete has an Eligible Impairment for para-cycling;
- b) An assessment to determine whether the Athlete complies with the Minimum Impairment Criteria (MIC) for para-cycling; and
- c) the allocation of a Sport Class and designation of a Sport Class Status depending on the extent to which the Athlete is able to execute the specific tasks and activities fundamental to para-cycling.

The assessment to determine whether an Athlete has an Eligible Impairment for para-cycling will be conducted by the UCI prior to Athlete Evaluation. Athletes must submit a Medical Diagnostics Form (MDF) which demonstrates that he or she has an Eligible Impairment, or an underlying Health Condition that may lead to an Eligible Impairment, before he or she can participate in an Athlete Evaluation Session with a Classification Panel.

The assessment to determine whether an Athlete has an Eligible Impairment for para-cycling will be conducted by the UCI in accordance with the International Standard for Eligible Impairments.

The assessment to determine whether an Athlete complies with the Minimum Impairment Criteria for para-cycling, the allocation of a Sport Class (16.4.008) and designation of a Sport Class Status (16.4.008) will be undertaken by a Classification Panel in accordance with the UCI Classification Rules and Regulations.

Athlete Evaluation process may encompass the following:

- Physical Assessment: The Classification Panel will conduct a Physical Assessment of the Athlete, to establish whether the Athlete has an Eligible

Impairment for a sport and whether the Athlete complies with the Minimum Impairment Criteria for para-cycling;

- Technical Assessment: The Classification Panel may conduct if so required a Technical Assessment of the Athlete which may include, but is not limited to, an assessment and evaluation of the extent to which the athlete is able to execute the specific tasks and activities fundamental to para-cycling in a non-competitive environment.

The Physical Assessment and Technical Assessment take place during the Classification Evaluation Period.

Observation Assessment: The Classification Panel may conduct Observation Assessment to ensure that the result from the Athlete's Physical and Technical Assessments are reflected in the athlete's ability to perform in competition.

(text modified on 01.02.11; 01.02.17)

Athlete Evaluation Requirements

16.4.007 The following requirements apply to Athlete Evaluation:

- An Athlete is personally responsible for attending a Athlete Evaluation (an Athlete's National Federation/National Paralympic Committee must take reasonable steps to ensure that the Athlete attends Athlete Evaluation);
- Athletes have the right to choose one person, who must be a member of the Athlete's National Federation/National Paralympic Committee, to accompany them when attending Athlete Evaluation. If the Athlete is a minor, a member of the Athlete's National Federation/National Paralympic Committee must accompany the Athlete;
- The Classification Panel will conduct its assessments in English. If the Athlete requires an interpreter, the National Federation/National Paralympic Committee is responsible for arranging for an interpreter. The interpreter will be permitted to accompany the Athlete in addition to the person nominated by the Athlete to accompany him or her when attending Athlete Evaluation;
- The Athlete must accept the terms and conditions of the UCI Evaluation Consent Form prior to attending Athlete Evaluation;
- The Athlete must attend Athlete Evaluation with his/her UCI License which verifies the Athlete's identity;
- The Athlete must attend Athlete Evaluation with all sports equipment and attire used in competition, in race clothing accompanied by his/her bicycle/tricycle/handbike, helmet, orthopaedic brace/prosthesis and all other equipment required to use his/her bike;
- Any modification of machine (e.g. support) must be submitted to the UCI for approval in accordance with the established procedure and article 16.14.002;
- The Athlete is evaluated together with his/her orthopaedic brace/prosthesis and may entail a change of Sport Class or even division. All orthopaedic braces/prostheses must be submitted to the UCI for its approval in accordance with the established procedure;

- Athletes with a visual impairment must bring any eyeglasses and/or contact lenses used to correct vision to Athlete Evaluation;
- The Athlete must submit the respective Medical Diagnostic Form to the UCI no later than 4 weeks prior to Athlete Evaluation (in English or with a certified English translation), with relevant supporting medical documentation including, but not limited to, medical reports, medical records and diagnostic information, which relate to the Athlete's Impairment;
- The Athlete must disclose the use of any medication and/or medical device/implant to the Classification Panel;
- The Athlete must comply with all reasonable instructions given by the Classification Panel;
- The Classification Panel may use video footage and/or any other records (including pre-existing video footage and/or records) in order to carry out the Athlete Evaluation. In addition, the Classification Panel may video-record the Athlete Evaluation in part or in full if it considers that such recording is necessary to enable it to complete the Athlete Evaluation.
- The Classification Panel may only consider evidence supplied to it by the Athlete, National Federation, National Paralympic Committee and the UCI when allocating a Sport Class.
- Any such recording will be used for the purposes of the Athlete Evaluation only and may be used for research and education purposes with the Athlete's prior consent;
- The decisions of the Classification Panel will be published at the Competition venue by the UCI in the Classification Communique following the classification period. Decisions of the Classification Panel for athletes required to undergo Observation in Competition will be published following their first appearance.

Failure to Attend Athlete Evaluation

If an Athlete is required to attend the Athlete Evaluation, but fails to do so, the Classification Panel will report the non-attendance to the Chief Classifier. The Chief Classifier may, if satisfied that a reasonable explanation exists for the failure to attend the Athlete Evaluation, set a revised time and date for the Athlete Evaluation at the Competition.

If the Athlete fails to attend Athlete Evaluation on this second occasion, or is, in view of the Chief Classifier, unable to provide a reasonable explanation of his or her non-attendance, the Athlete will not be permitted to compete at the relevant Competition.

Suspension of Athlete Evaluation

A Classification Panel, in consultation with the Chief Classifier, may suspend Athlete Evaluation if it cannot allocate a Sport Class to the Athlete, including, but not limited to, one or more of the following circumstances:

- a failure on the part of the Athlete to comply with any part of the UCI Classification Rules and Regulations;
- a failure on the part of the Athlete to provide any medical information that is required by the Classification Panel;

- the Classification Panel believes that the use (or non-use) of any medication and/or medical procedure/device/implant disclosed by the Athlete will affect the ability to conduct Athlete Evaluation in a fair manner;
- the Athlete has a Health Condition that may limit or prevent from complying with requests of the Classification Panel during Athlete Evaluation, which the Classification Panel considers will affect its ability to conduct Athlete Evaluation in a fair manner;
- the Athlete is unable to communicate effectively with the Classification Panel;
- the Athlete is physically or mentally unable to comply with the instructions of the Classification Panel;
- the Athlete refuses to comply with any instructions given by any Classification Personnel to such an extent that an Athlete Evaluation cannot be conducted in a fair manner; and/or
- the Athlete's presentation of his or her abilities is inconsistent with any information available to the Classification Panel to such an extent that Athlete Evaluation cannot be conducted in a fair manner.

If Athlete Evaluation is suspended by a Classification Panel, the following steps must be taken:

- an explanation containing the reasons of the suspension and details of the remedial action that is required from the Athlete will be provided to the Athlete and/or the relevant National Federation or National Paralympic Committee;
- if an Athlete takes the remedial action to the satisfaction of the Chief Classifier or Head of Classification, Athlete Evaluation will be resumed; and
- if the Athlete fails to comply and does not take the remedial action within the imposed deadline, Athlete Evaluation will be terminated. The Athlete will be designated with the status "Classification Not Completed" (CNC) within the Classification Master List for Para-cycling. This designation will preclude the Athlete from competing at any Competition until Athlete Evaluation is completed.

A suspension of Athlete Evaluation may be subject to further investigation into any possible Intentional Misrepresentation.

Observation in Competition

The Classification Panel may require that an Athlete undertakes Observation in Competition before it allocates a final Sport Class (16.4.008) and designates a Sport Class Status (16.4.008) to that Athlete.

Observation in Competition, if required by the Classification Panel for the respective Athlete, will be conducted during the Athlete's First Appearance. First Appearance is the first time that an Athlete competes in an Event during a Competition in a particular Sports Class. First Appearance within a Sport Class applies to all participation in other Events within the same Sport Class.

If a Classification Panel requires an Athlete to complete Observation in Competition, the Athlete is permitted to compete at First Appearance with the Sport Class that is

allocated to that Athlete by the Classification Panel following the conclusion of the initial components of Athlete Evaluation.

Pending completion of Observation in Competition, the Athlete will be allocated a Sport Class with the Tracking Code 'Observation in Competition' (OIC).

An Athlete will retain the Sport Class and Tracking Code until Observation in Competition has taken place.

The Classification Panel must allocate a final Sport Class and designate a Sport Class Status upon completion of First Appearance. If changes to the Sport Class or Sport Class Status of an Athlete are made following Observation in Competition, the changes are effective immediately.

The impact of an Athlete changing Sport Class after First Appearance on medals, records and results is detailed in articles 16.18.009 and 16.9.002.

(text modified on 01.07.13; 01.02.17)

Sport Class and Sport Class Status

16.4.008 Sport Class

A Sport Class is a category for Competition defined by UCI by reference to the extent to which an Athlete can perform the specific tasks and activities required for Para-cycling.

A Sport Class will be allocated to an Athlete by a Classification Panel following Athlete Evaluation.

The decision of the Classification Panel to allocate a Sport Class is final and subject to challenge only as prescribed in the Protests and Appeals section of the UCI Classification Rules and Regulations (Article 16.4.015).

If an Athlete does not have an Eligible Impairment or has an Eligible Impairment that does not comply with the Minimal Impairment Criteria, he or she will not be eligible to compete within the sport of Para-cycling. If an Athlete is not eligible to compete, he or she will be allocated the Sport Class "Not Eligible" (see Article 16.4.008).

The Sport Class allocated to the Athlete will be in accordance with the Sport Class designations as detailed in article 16.4.008 of the UCI Classification Rules and Regulations.

Sport Class Status

An Athlete's Sport Class Status indicates whether or not an Athlete will be required to undertake Athlete Evaluation again in the future, and whether the Athlete's Sport Class may be subject to Protest in accordance with Article 16.4.015 of the UCI Classification Rules and Regulations.

An Athlete may be allocated a Sport Class by an International Sport Federation prior to undertaking Athlete Evaluation. Any such Athlete will be designated Sport Class Status

New (N). If an Athlete with Sport Class Status New (N) enters an International UCI sanctioned competition where classification panels are present, that athlete must attend a Athlete Evaluation prior to competing.

The Sport Class Status applied to an Athlete by a Classification Panel will be one of the following:

- Sport Class Confirmed (C);
- Sport Class Review (R); or
- Review with a Fixed Review Date (FRD).

Confirmed (C)

An Athlete will be designated with Sport Class Status Confirmed (C) if the Classification Panel is satisfied that the Athlete's Eligible Impairment is and will remain stable. An Athlete with Sport Class Status Confirmed (C) is not required to undergo any further Athlete Evaluation.

A Classification Panel that consists of one Classifier may only designate a Sport Class with Sport Class Status Review (R).

Review (R)

An Athlete will be designated Sport Class Status Review (R) if the Classification Panel believes that further Athlete Evaluation will be required. This may be for a number of reasons, including but not limited to situations where the Athlete:

- has only recently entered competition in Para sports;
- has a recently acquired impairment;
- has a fluctuating and/or progressive Impairment/Impairments that is/are permanent but not stable; and/or
- Has not reached full muscular skeletal or sports maturity.

An Athlete with Sport Class Status Review (R) must complete Athlete Evaluation prior to competing at any competition where International Classification is offered.

Fixed Review Date (FRD)

A Classification Panel may designate an Athlete's Sport Class with Sport Class Review with a Fixed Review Date (FRD). An Athlete with Sport Class Status with Fixed Review Date (FRD) is required to attend an Athlete Evaluation at the first opportunity after the relevant fixed date.

If the UCI changes the criteria or methodology used to allocate Sport Classes, it may re-designate Athletes with Sport Class Status Confirmed (C) and Athletes with Sport Class Status with Fixed Review Date (FRD) as being Sport Class Status Review (R).

Athletes who are Not Eligible (NE)

If the UCI determines that an Athlete has:

- a Health Condition that will not lead to an Eligible Impairment; or

- an Impairment that is not an Eligible Impairment,

the UCI will allocate the Athlete Sport Class Not Eligible (NE)

If a Classification Panel determines that an Athlete does not comply with Minimum Impairment Criteria for Para-cycling, the Athlete must be allocated Sport Class Not Eligible (NE).

If a Classification Panel allocates Sport Class Not Eligible (NE) because the Athlete does not comply with Minimum Impairment Criteria, the Athlete may be eligible to compete within another sport, subject to Athlete Evaluation for that sport.

The allocation of Sport Class Not Eligible (NE) shall not necessarily mean that the Athlete does not have any Impairment.

If a Classification Panel allocates Sport Class Not Eligible (NE) on the basis that the Athlete does not comply with Minimum Impairment Criteria, the Athlete must be reviewed by a second Classification Panel which must take place as soon as is practicable. Pending any such second assessment, the Athlete will be allocated Sport Class Not Eligible (NE) and designated Sport Class Status Review (R). The Athlete will not be permitted to compete before such re-assessment.

If a second Classification Panel allocates Sport Class Not Eligible (NE) because the Athlete fails to meet the Minimum Impairment Criteria, or if the Athlete declines to be reviewed by a second Classification Panel at that competition, Sport Class Status Confirmed (C) will be allocated and the Athlete will not be permitted to compete at that competition or in any future competitions.

Errors regarding Sport Class Status

If the Head of Classification believes on reasonable grounds that an Athlete has been designated with a Sport Class Status in manifest error and/or clear breach of the UCI Classification Rules and Regulations, he or she shall

- advise the Athlete and the relevant National Federation or Federations as to the error or breach that has taken place with a brief statement of the reasons for that belief; and
- immediately amend the Athlete's Sport Class Status, and advise the Athlete and the relevant National Federation or Federations. The UCI will make the appropriate amendment to the Classification Master List.

Medical Review

A change in the nature or degree of an Athlete's Impairment may mean that a review is needed to ensure that any Sport Class allocated to that Athlete is correct. This review is referred to as a 'Medical Review'. A Medical Review is commenced by way of a 'Medical Review Request'.

A Medical Review Request must be made if a change in the nature or degree of an Athlete's Impairment changes the Athlete's ability to perform the specific tasks and

activities required by a sport in a manner that is clearly distinguishable from changes attributable to levels of training, fitness and proficiency. Any Athlete or Athlete Support Personnel who becomes aware of such changes in ability to perform but fails to draw these changes to the attention of their National Federation or National Paracycling Committee may be investigated in respect of possible Intentional Misrepresentation.

Medical Review Request may only be made by a National Federation or National Paracycling Committee on behalf of an Athlete. An Athlete may not make a Medical Review Request.

A Medical Review Request may only be made by completing the UCI Medical Review Request Form and by following its instructions. The Athlete and his or her National Federation/National Paralympic Committee must ensure that the Medical Review Request abides by the following provisions:

- explain how and to what extent the Athlete's relevant Impairment has changed, and why it is believed that the Athlete's Sport Class may no longer be accurate. This must include all relevant supporting documentation
- the UCI Medical Review Request Form must be completed by a qualified health professional and include all relevant supporting documentation in English or with a certified English translation;
- the payment of a non-refundable fee.

Each Medical Review Request will be assessed by the UCI to ensure that all requisite information, documentation and fee have been provided. Once the Medical Review Request is complete, the Head of Classification will, in conjunction with such third parties as he or she considers appropriate, decide whether or not the Medical Review Request should be upheld.

If the Medical Review Request is upheld, the Athlete's Sport Class Status will be amended to Review with immediate effect. If the Medical Review Request is declined, there will be no change to the Athletes Sport Class Status and the Athlete will not be entitled to further Athlete Evaluation. The UCI will provide the relevant National Federation or National Paralympic Committee with a written explanation as to why the Request was declined.

Recognition of Sport Classes for Athletes with Visual Impairment in other Sports

If an Athlete with Visual Impairment and Sport Class Status Review with Fixed Review Date or Confirmed according to the UCI holds a different and more recently allocated Sport Class with another International Federation or Sport, then the UCI will adopt the Sport Class that indicates the most visual ability, and amend the Sport Class Status to Review. If the Sport Class allocated by the other International Federation or Sport is Not Eligible, the Athlete's Sport Class allocated by the UCI will not be changed, but the Sport Class Status will be changed to Review.

(text modified on 01.02.11, 01.05.16; 01.02.17)

Notification of Outcomes of Athlete Evaluation

16.4.009 Following the conclusion of the initial components of Athlete Evaluation (assessment of an Eligible Impairment; assessment of Minimum Impairment Criteria; and the assessment of the Athlete’s ability to perform the specific tasks and activities fundamental to the Athlete’s sport in a non-competitive environment), the Classification Panel will notify the Athlete of his or her allocated Sport Class and Sport Class Status, and will inform the Athlete if he or she is required to be observed in Competition.

The Chief Classifier will inform the UCI of the interim outcome of Athlete Evaluation, detailing the Sport Class and Sport Class Status allocated to each Athlete prior to the start of the Competition.

The UCI will publish the outcomes prior to the start of the Competition through the Classification Communiqué.

If a Classification Panel requires an Athlete to complete Observation in Competition, the Athlete is permitted to compete in the Competition with the Sport Class that is allocated to him/her by the Classification Panel following the conclusion of the initial components of Athlete Evaluation. As per article 16.4.004, Athletes who are being observed in Competition will be allocated a Sport Class with a Tracking Code. Once the Athlete has completed Observation in Competition, the Classification Panel will allocate a final Sport Class and designate a Sport Class Status. Athletes will be notified of the outcome as soon as practicably possible after the Athletes First Appearance.

(text modified on 01.02.11; 01.02.17)

16.4.010 [article abrogated on 01.05.16]

16.4.011 [article abrogated on 01.02.17]

Intentional Misrepresentation of Skills and/or Abilities

16.4.012 An Athlete may not intentionally misrepresent his/her skills and/or abilities and/or the degree or nature of Eligible Impairment to a Classification Panel. If an Athlete attempts to deceive the Classification Panel during the course of Athlete Evaluation, he or she is responsible of Intentional Misrepresentation.

An Athlete who intentionally misrepresents his/her skills and/or abilities and/or the degree or nature of his/her Eligible Impairment by any act or omission is responsible of Intentional Misrepresentation. This includes misrepresentation outside of Athlete Evaluation, including misrepresentation following the allocation of a Sport Class such as a failure to make a medical notification or a change in circumstances that an Athlete or Athlete Support Personnel knows does or may affect a Sport Class.

Any Athlete or Athlete Support Personnel, who knowingly assists, covers up or disrupts Athlete Evaluation with the intention of deceiving or misleading the Classification Panel, or is in any other way involved in any other type of complicity involving Intentional Misrepresentation is responsible of Intentional Misrepresentation.

If the UCI commences disciplinary proceedings against an Athlete or Athlete Support Personnel in respect of Intentional Misrepresentation (and/or complicity involving Intentional Misrepresentation), the UCI may impose a provisional suspension in accordance with the relevant provisions of Part XII of the UCI Regulations.

An Athlete or Athlete Support Personnel who is subject to a provisional suspension may not, during the period of provisional suspension, participate in any capacity in any Competition, event or other activity organised, convened, authorised or recognised by the UCI.

The applicable consequences to an Athlete or Athlete Support Personnel who is found to have been responsible of Intentional Misrepresentation and/or complicity involving Intentional Misrepresentation shall be one or more of the following: (a) Disqualification from all events at the Competition at which the Intentional Misrepresentation occurred; and (b) Not Eligible for Athlete Evaluation or other participation in Competitions for 24 months.

The applicable consequences to an Athlete or Athlete Support Personnel who is found to have been responsible of Intentional Misrepresentation and/or complicity involving Intentional Misrepresentation on more than one occasion shall be a life time period of being Not Eligible from Athlete Evaluation or other participation in Competitions.

If the UCI brings disciplinary proceedings against an Athlete or Athlete Support Personnel in respect to Intentional Misrepresentation which results in the imposition of a period of being Not Eligible, the said period of being Not Eligible must be recognised, respected and enforced by all licence-holders and National Federations.

(text modified on 01.01.16; 01.02.17)

16.4.013 [article abrogated on 01.02.17]

16.4.014 [article abrogated on 01.02.17]

Protest and Appeals

16.4.015 Protests

A Protest may only be made in respect of an Athlete's Sport Class. A Protest may not be made in respect of an Athlete's Sport Class Status.

A Protest may not be made in respect of an Athlete who has been allocated a Sport Class Not Eligible given the fact that the Athlete will automatically be reviewed by a second Classification Panel.

Parties Permitted to Make a Protest

A Protest may only be made by one of the following bodies:

- A National Federation or a National Paralympic Committee; or
- The UCI as the International Federation for Para-cycling

An Athlete is not entitled to make a Protest. A Protest must only be made on behalf of an Athlete by the Athlete's National Federation, National Paracycling Committee or the UCI.

National Protests

A National Federation or a National Paralympic Committee may only make a Protest in respect of an Athlete under its jurisdiction and at a Competition for Athlete Evaluation performed by the UCI.

A National Protest made at a Competition must be made according to the timeframes set by the UCI.

If an Athlete is required by a Classification Panel to undergo Observation in Competition Assessment, a National Federation or a National Paralympic Committee may make a Protest before or after First Appearance takes place. If a Protest is made before First Appearance takes place, the Athlete must not be permitted to compete until the Protest has been decided upon.

National Protest Procedure

To submit a National Protest, a National Federation or a National Paralympic Committee must demonstrate that the Protest is bona fide with supporting evidence, complete the UCI Classification Protest Form, and must include the following:

- Details of the protested Athlete;
- Details of the protested decision and/or a copy of the protested decision;
- An explanation as to why the Protest has been made and the basis on which the National Federation/National Paralympic Committee believes that the protested decision is flawed;
- Reference to the specific rule(s) alleged to have been breached; and
- 100 EUR protest fee.

The UCI Classification Protest Form and the protest fee must be submitted to the Chief Classifier of the relevant Competition within the timeframes specified by the UCI.

Upon receipt of the UCI Classification Protest Form and the protest fee the Chief Classifier will conduct a review of the Protest, of which there are two possible outcomes:

- the Chief Classifier may dismiss the Protest if, at the discretion of the Chief Classifier, the Protest does not comply with the Protest requirements in the UCI Classification Rules and Regulations; or
- the Chief Classifier may accept the Protest if, at the discretion of the Chief Classifier, the Protest complies with the Protest requirements in the UCI Classification Rules and Regulations.

If the Protest is dismissed, the Chief Classifier must notify all relevant parties and provide a written explanation to the National Federation or National Paralympic Committee as soon as practicable. The Protest Fee will be forfeited.

If the Protest is accepted:

- the protested Athlete's Sport Class must remain unchanged pending the outcome of the Protest but the protested Athlete's Sport Class Status must be changed to Sport Class Status Review effective immediately, unless the current status is already Review
- the Chief Classifier must appoint a Protest Panel, in accordance with the UCI Classification Rules and Regulations, to conduct a new Athlete Evaluation as soon as reasonably possible, which must be, if practicable, at the Competition the Protest was made; and
- the Chief Classifier must notify all relevant parties of the time and date the new Athlete Evaluation must be conducted by the Protest Panel

UCI Protests

The UCI may, in its discretion, make a Protest at any time in respect of an Athlete under its jurisdiction if:

- it considers an Athlete may have been allocated an incorrect Sport Class; or
- a National Federation/National Paralympic Committee makes a request to the UCI

UCI Protest Procedure

If the UCI decides to make a Protest, the Head of Classification will advise the relevant National Federation/National Paralympic Committee of the UCI Protest at the earliest possible opportunity.

The Head of Classification will provide the relevant National Federation/National Paralympic Committee with a written explanation as to why the UCI Protest has been made and the basis on which the Head of Classification considers it is justified.

If the UCI makes a Protest:

- the protested Athlete's Sport Class will remain unchanged pending the outcome of the Protest;
- the protested Athlete's Sport Class Status will immediately be changed to Review unless the protested Athlete's Sport Class Status is already Review; and
- a Protest Panel must be appointed to resolve the Protest as soon as reasonably possible.

Protest Panel

A Chief Classifier may fulfil one or more of the Head of Classification's obligations in the UCI Classification Rules and Regulations if authorised to do so by the Head of Classification.

A Protest Panel must be appointed by the Head of Classification in a manner which is consistent with the provisions for appointing a Classification Panel within the UCI Classification Rules and Regulations.

A Protest Panel must not include any person who was a member of the Classification Panel who:

- made the protested decision; or
- conducted any component of Athlete Evaluation in respect of the protested Athlete within a period of 12 months prior to the date of the protested decision, unless otherwise agreed by the National Federation/National Paralympic Committee, or the UCI making the Protest

The Head of Classification will notify all relevant parties of the time and date of the Athlete Evaluation that must be conducted by the Protest Panel.

The Protest Panel must conduct the new Athlete Evaluation in accordance with article 16.4.006 (Athlete Evaluation).

If a Protest can be resolved at the Competition where the Protest was lodged (i.e. a Protest Panel is available and is consistent with the above provisions), the Athlete will not be permitted to compete in any further events until the Protest has been resolved. For the purpose of resolving a Protest and conducting Athlete Evaluation in accordance with article 16.4.006 (Athlete Evaluation), the Protest Panel may observe the Athlete in Competition during the Athletes First Appearance following the initial components of Athlete Evaluation (Physical and Technical Assessment) as carried out by the Protest Panel. If an Athlete is not competing in a second event in the Competition where the Protest was lodged, and Observation in Competition is required by the Classification Panel, the Athlete will be allocated a Sport Class with a Review Sport Class Status in order to be classified at his next available opportunity.

The Protest Panel may refer to the Protest Form and Classification Form of the first panel when conducting the new Athlete Evaluation.

The Protest Panel will allocate a Sport Class and designate a Sport Class Status. All relevant parties must be notified of the Protest Panel's decision as soon as possible following the Athlete Evaluation.

The impact of an Athlete changing Sport Class after a Protest on medals, records and results is detailed in articles 16.18.009 and 16.9.002.

The decision of a Protest Panel in relation to both protests submitted by the UCI and National Federations/National Paralympic Committees is final. There is no opportunity for a National Federation, National Paralympic Committee or the UCI to make another Protest at that Competition. However, the decision rendered by a Protest Panel may be appealed if the requirements set out in 16.4.004 are not met.

Provisions Where No Protest Panel is Available

If a Protest is made at a Competition but there is no opportunity for the Protest to be decided upon at that Competition:

- the protested Athlete must be permitted to compete within the Sport Class that is the subject of the Protest with Sport Class Status Review, pending the resolution of the Protest; and all reasonable steps must be taken to ensure that the Protest is resolved at the earliest opportunity.

Classification protest opportunities during the classification evaluation period:

Sport Class Status	National Protest		UCI Protest
	Permitted	Timeframe	Permitted
Athletes entering the competition with a C or FRD (the year following the competition or later)	No	N/A	Yes
Athletes entering the competition with a N or R Status and classified at the respective competition	Yes	Within 1 hour of the notification of the classification outcome	Yes

Classification protest opportunities following Observation in Competition:

Sport Class Status	National Protest		UCI Protest
	Permitted	Timeframe	Permitted
R, FRD (the year following the competition or later) or C	No	N/A	Permitted
Athletes entering the competition with a tracking status	Yes (if not protested during the classification evaluation period)	Within 1 hour of being notified of the outcome	Yes

Appeals

An Appeal is the process by which a formal objection to the manner in which Athlete Evaluation and/or Classification procedures have been conducted is submitted and subsequently decided upon. An Appeal may only be made by one of the following bodies:

- a National Federation; or
- a National Paralympic Committee

Appeals and the Applicable Rules

If a National Federation or National Paralympic Committee considers there have been procedural errors made in respect of the allocation of a Sport Class and/or Sport Class Status and as a consequence an Athlete has been allocated an incorrect Sport Class or Sport Class Status, it may submit an Appeal.

The UCI have designated the IPC Board of Appeal of Classification (BAC) as the Appeal Body for resolving Appeals under its jurisdiction.

An Appeal must be made and resolved in accordance with the IPC Handbook, Section 1, Chapter 2.8 – Bylaws Board of Appeal of Classification.

(text modified on 01.02.11; 01.02.17)

Chapter V PARA-CYCLING DIVISION & SPORT CLASS PROFILES

(chapter changed on 01.10.10)

16.5.001 The following sport **class** profiles determine the division **and** the sport class in which an athlete will compete. A para-cycling specific classification system assesses the athlete's ability based level of the impairment relevant to their specific impairment.

In the case of an incomplete spinal cord lesion, the functional ability of the athletes will decide the final classification and the decision of the UCI classifier shall be final.

An athlete who has the option to choose a sport class has to decide during their classification and remain in that sport class until the conclusion of the upcoming Paralympic Games. The athlete must then notify UCI of a sport class change by January 1st of the year following the Games.

It is the prerogative of the classification panel to decide if an athlete needs to be moved into another sport class, less or more severely impaired, depending on their assessment of the athlete's impairment. Athletes will be assessed with tests that are relevant for their impairments.

(text modified on 01.02.10; 01.07.10; 01.02.11; 01.01.16; 01.02.17)

§ 1 Sport Class Profiles

16.5.002 Division Handcycle, Sport Class H1 (ex-H1.1)

Tetraplegia C6 or above and severe athetosis/ataxia/dystonia

- Tetraplegic with impairments corresponding to a complete cervical lesion at C6 or above;
- Complete loss of trunk stability and lower limb function;
- Limited extension of the elbow with a muscle score of 6 (total of both triceps)
- Limited handgrip;
- Non-spinal cord injury, but functional ability profile equivalent to sport class H1.1;
- Recumbent position in handcycle mandatory (AP-bikes);
- Severe athetosis/ataxia/dystonia and elbow extension limitation;
- Asymmetric or symmetric quadriplegia with at least grade 3 spasticity in upper limbs and lower limbs.

16.5.002 Division Handcycle, Sport Class H2 (ex-H1.2)

bis Tetraplegia C7/C8 and severe athetosis/ataxia/dystonia

- Tetraplegic with impairments corresponding to a complete cervical lesion at C7/C8 or above;
- Complete loss of trunk stability and lower limb function;
- Non-spinal cord injury, but functional ability profile equivalent to sport class H2 (ex-H1.2);

- Recumbent position in handcycle mandatory (AP-bikes);
- Severe athetosis/ataxia/dystonia and no elbow extension limitation;
- Asymmetric or symmetric quadriplegia with at least grade 2 spasticity in upper limb and lower limbs.

(text modified on 01.02.10; 01.02.11; 01.02.14).

16.5.003 Division Handcycle, Sport Class H3

H3.1 (ex-H2.1)

- Paraplegic with impairments corresponding to a complete lesion from Th1 to Th3;
- Very limited trunk stability;
- Non-spinal cord injury, but functional ability profile equivalent to sport class H3.1 (ex-H2.1);
- Recumbent position in handcycle mandatory (AP-bikes).

H3.2 (ex-H2.2)

- Paraplegic with impairments corresponding to a complete lesion from Th4 to Th10;
- Limited trunk stability;
- Non-spinal cord injury, functional ability profile equivalent to sport class H3.2 (ex-H2.2);
- Recumbent position in handcycle mandatory (AP-bikes);
- Moderate quadriplegia with/without athetosis/ataxia;
- Severe hemiplegia (non-ambulant);
- Severe diplegia (non-ambulant) and athetosis/ataxia;
- Neurological impairments with at least grade 1 spasticity in upper limb.

(text modified on 01.02.10; 01.02.11; 01.02.14; 01.05.16)

16.5.004 Division Handcycle, Sport Class H4

- Paraplegic with impairments corresponding to a complete lesion from Th11 or below;
- No lower limb function or limited function;
- Normal or almost normal trunk stability;
- Non-spinal cord injury, functional ability profile equivalent to sport class H4 (ex-H3);
- Incomplete loss of lower limb function, functional ability profile equivalent to sport class H4 (ex-H3) or H5 (ex-H4), with other disabilities, which prevent the safe use of a conventional bicycle, tricycle or the Kneeling position in a handcycle;
- Recumbent position in handcycle (AP or ATP-bike);
- Diplegia and athetosis/ataxia/dystonia (almost normal UE);
- Hemiplegic with spasticity a minimum of grade 3, lower limb more involved.

(text modified on 01.02.10; 01.02.11; 01.02.14)

16.5.005 Division Handcycle, Sport Class H5

An athlete who can use the kneeling position must use it and therefore will be classified accordingly.

- Paraplegic with impairments corresponding to a complete lesion from Th11 or below;
- Double below or Double through knee amputee;
- Single leg amputation (AK), minimal disability below knee amputation (BK);
- Incomplete loss of lower limb function, with other disabilities, which prevent the save use of a conventional bicycle or tricycle;
- Kneeling Position (HK-bike), in case of mobility reduction if prevents kneeling, the athlete can use a recumbent bike in H4 (ex-H3);
- Hemiplegic with spasticity grade 2, lower limb more involved;
- Diplegic, lower spasticity grade 2 in both legs;
- Mild to moderate athetosis or ataxia.

(text modified on 01.02.10; 01.02.14)

16.5.006 Division Tricycle, Sport Class T1

Neurological:

- Hemiplegia/double/quadruplegic hemiplegic, spasticity grade 3 in lower and upper limb;
- Triplegia lower spasticity grade 3 in both legs;
- Severe athetosis, ataxia or dystonia;
- Severe locomotor dysfunction, can be mixed pattern (athetosis, spasticity or ataxia);
- Insufficient balance for cycling and a tricycle is required;
- Pedalling / cadence is restricted;
- Polio, peripheral neurological lesions incomplete Spinal Cord Lesion, not able to ride a bicycle.

Comparable disabilities:

- Multiple impairments (e.g. amputation with neurological impairment);
- Comparable multiple impaired with a tested point score of 210 points or higher.

No amputees.

(text modified on 01.02.10; 01.02.11)

16.5.007 Division Tricycle, Sport Class T2

Neurological:

- Hemiplegia/double/quadruplegic, spasticity grade 2, lower limb more involved;
- Diplegic, lower spasticity grade 3 in both legs;

- Moderate to severe athetosis / ataxia/ dystonia.

Decrease in muscle strength:

- Between 160 and 209 Points (Polio, peripheral neurological lesions incomplete Spinal Cord Lesion, not able to ride a bicycle).

Comparable disabilities:

- Multiple impaired (e.g. amputation with neurological impairment), but fluently movement and control of the bike.

No amputees.

(text modified on 01.02.10; 01.02.11)

16.5.008 Division Cycles, Sport Class C1

Neurological:

- Hemiplegia, spasticity grade 3 in lower and upper limb;
- Diplegia, lower spasticity grade 3 in both legs;
- **Ataxia and Dyskinesia (Dystonia and Athetosis);**
- Locomotor dysfunction, can be mixed pattern (athetosis, spasticity or ataxia);
- Poor functional strength in trunk, and / or in all extremities.

Amputation:

- Single amputation of leg, AK, and arm, AE or BE, on same side or diagonal, with or without the use of a prosthesis;
- Double TK amputation with the use of prostheses;
- Double amputation BE + Single amputation AK, no prosthesis.

Comparable incomplete spinal cord injury or comparable multiple impaired with a tested point score more than 210 points.

(text modified on 01.02.10; 01.02.11; 01.02.17)

16.5.009 Division Cycles, Sport Class C2

Neurological:

- Hemiplegic, spasticity grade 2, lower limb more involved;
- Diplegic, lower spasticity grade 2 in both legs;
- Moderate to severe athetosis or ataxia.

Decrease in muscle strength:

- Between 160 and 209 Points (Polio, peripheral neurological lesions incomplete Spinal Cord Lesion, HMSN, MS).

Amputation:

- Single AE amputation with or without use of prosthesis + Single TK amputation with the use of prostheses;
- Double amputation BE + Single amputation TK with the use of a lower prosthesis;

- Double BK amputation with the use of prostheses + Single AE amputation without the use of upper limb prosthesis;
- Single amputation AK, no prosthesis, may have a stump support.

Comparable impairments;

- Multiple impairments (e.g. amputation with neurological impairments), but fluently movement and control of the bike;
- Limited ROM of the hip or knee or muscle weakness such that a functional full revolution of the crank is not possible. In this case, the radius of crank must be limited to 0 cm.

(text modified on 01.02.10; 01.02.11)

16.5.010 Division Cycles, Sport Class C3

Neurological:

- Hemiplegic with spasticity grade 2, lower limb more involved grade 1 in upper limb;
- Diplegic, lower spasticity grade 2 in both legs;
- Moderate athetosis or ataxia/dystonia.

Limited ROM of the hip or knee such that a normal functional full revolution of the crank is not possible. In this case, it is the cyclist's option to shorten the crank to the optimal size.

Amputation:

- Single AE amputation, no prosthesis + Single BK amputation with the use of a prosthesis;
- Single TK amputation with the use of a prosthesis + Single BE amputation
- Single amputation TK, with the use of prosthesis;
- Double amputation BK, with the use of prostheses.

Comparable multiple impairments with a tested point score between 110 and 159 points.

(text modified on 01.02.10; 01.02.11)

16.5.011 Division Cycles, Sport Class C4

Neurological:

- Hemiplegic with spasticity grade 1, lower limb more involved;
- Diplegic, lower spasticity grade 1 in both legs;
- Mild to moderate athetosis or ataxia/dystonia.

Limited ROM of the hip or knee such that a normal functional full revolution of the crank is not possible. In this case, it is the cyclist's option to shorten the crank to the optimal size.

Amputation:

- Single amputation BK with the use of prosthesis + Single BE amputation with or without the use of prosthesis;
- Single amputation BK, with the use of prosthesis;
- Double amputation BE with or without the use of a prosthesis that allows as much functional contact as possible to the handlebar.

Comparable multiple impairments with a tested point score between 60 and 109 points.

(text modified on 01.02.10; 01.02.11)

16.5.012 Division Cycles, Sport Class C5

This is the sport class for athletes with minimum impairments.

Neurological:

- Monoplegia spasticity grade 1 or more in the affected arm.

Plus clear neurological signs to include:

- Positive uni or bilateral Hoffman;
- Noticeably brisk reflexes or clear differences in reflexes left versus right.

Amputation:

- Single amputation AE, with or without prosthesis, no functional grip;
- Single amputation BE with the use of a prosthesis.

Minimal disability: Amputation of all fingers and thumb (through MCP) or amputation of more than half foot (forefoot). In the case of a single AE-, BE- amputation or a single upper limb dysmelia, the minimal impairment is met if all fingers and the thumb of one hand are missing through the MCP joint or other impairments that are equivalents, without a functional grip. As a proof of the loss of functional grip, the affected athlete will not be able to operate handle-bar mounted gear and brake levers with the affected or impaired limb.

Comparable multiple impairments with a tested point score between 20 and 59 points.

(text modified on 01.02.10; 01.07.10; 01.02.11)

16.5.013 Division Tandem, Sport Class B

Blind or Visual Impaired (VI)

TCB - from no light perception in either eye up to visual acuity of 6/60 and/or visual field of less than 20 degrees. Classification assessed in the best eye with the best correction (i.e. all athletes who use contact or corrective lenses must wear them for classification, whether they intend to wear them in competition or not). Classification will be provided by a UCI accredited classifier.

Chapter VI PARA-CYCLING WORLD CHAMPIONSHIPS

Programme

16.6.001 See article 9.1.011 of the UCI Regulations.

(text modified on 26.06.07; 01.01.09; 01.07.10; 01.10.13)

Participation

16.6.002 See article 9.2.062 and the following of the UCI Regulations.

(text modified on 01.02.11; 01.10.13)

16.6.003 [article abrogated on 01.10.13]

16.6.004 [article abrogated on 01.10.13]

Chapter VII ROAD RACES

§ 1 Road Races

16.7.001 All road race courses must be completely closed to other traffic.

(text modified on 26.06.07; 01.01.10; 01.01.16)

Road Race Distances

16.7.002 The maximum distances for UCI para-cycling international road races shall be:

Sport Class	Maximum
B men	120 km
B women	100 km
C5 men	100 km
C4 men	100 km
C3 men	100 km
C2 men	75 km
C1 men	75 km
C5 women	75 km
C4 women	75 km
C3 women	75 km
C2 women	60 km
C1 women	60 km
T2 men	40 km
T1 men	30 km
T2 women	30 km
T1 women	30 km
H5 men	80 km
H4 men	80 km
H3 men	80 km
H2 men	60 km
H1 men	60 km
H5 women	80 km
H4 women	60 km
H3 women	60 km
H2 women	50 km
H1 women	50 km

(text modified on 26.06.07; 01.02.08; 01.02.09; 01.01.10; 01.02.11; 01.10.13; 01.02.14)

Road Race Circuits

16.7.003 Road race circuits at all UCI para-cycling events, shall be between 7 km and 15 km. Climbs on any circuit must have a maximum of 8 % average gradient and no more than 15 % maximum on their steepest section. Total length of climbing must not be more than 25 % of the total circuit length.

Circuits which are shorter than 7 km, longer than 15 km, or exceed the above-mentioned percentage of gradient, but with unique and desirable features, may be permitted at the discretion of the UCI.

Tricycles, handcycles and youth category riders may use a shorter and less technically difficult circuit, at the discretion of UCI.

The organisers shall submit to the UCI for approval a circuit which fulfil the requirements defined in the Organisation Guide.

(text modified on 26.06.07; 01.01.10; 01.01.16)

Starting Order for Road Races

16.7.004 The UCI may decide to have several sport classes and/or age categories start together as one group. Each sport class, age category or group thus constituted must start with a minimum time gap of two minutes to avoid the mixing of groups.

Riders will be called to the line in the predefined lanes, by sport class, age category or group in the following order:

1. Road Race World Champion or outgoing Road Race World Champion respectively;
2. According to the order of the most recently published general UCI Ranking.

Riders who need assistance at the start should place themselves near the fences to facilitate a safe start for everyone.

(text modified on 01.1.09; 01.02.11; 01.10.11, 01.01.16)

Pacing / Drafting

16.7.005 In a road race where different sport classes are starting together (combined start), pacing and drafting between those sport classes is allowed.

In all races except the races with combined starts, any athlete taking pace or drafting from an athlete in another division, group or sport class, will be disqualified. The racing procedure will be in compliance with articles 2.4.017 to 2.4.020.

(text modified on 01.02.09; 01.07.10)

16.7.006 [article abrogated on 01.02.09]

16.7.007 Considering the nature of the handicap and the difficulty for certain athletes to grab a bottle during a race, the following measures will apply for the feeding by foot during the road races:

- Forbidden to feed during the first and last laps;
- Feeding authorized from both sides of the road. The feeding zones must be separated by at least 50 meters.

(article introduced on 01.02.09)

Ranking Order

16.7.007 bis Ranking order in para-cycling international races needs to be done following this procedure:

1. Riders who have finished their race with their position;
2. Riders lapped and withdrawn;
3. Abandons (DNF);
4. Disqualified riders (DSQ).

The lapped riders who are withdrawn will be ranked in the reverse order of the moment they were lapped. The riders that do not finish the race will be ranked following the number of laps completed.

(article introduced on 01.02.11)

§ 2 Individual Time Trials

16.7.008 For *UCI para-cycling world championships* nations can register a maximum of three athletes in each sport class for the individual time trial. It is recommended that all courses should be completely closed to non-race traffic. The minimum requirement is complete course closure to oncoming traffic. Time trial courses can use the same circuits as those used for road races in the same program.

(text modified on 26.06.07; 01.01.10)

Time Trial Distances

16.7.009 The maximum distances for UCI para-cycling international time trials shall be:

Sport Class	Maximum
B men	35 km
B women	30 km
C5 men	30 km
C4 men	30 km
C3 men	30 km
C2 men	25 km
C1 men	25 km

C5 women	25 km
C4 women	25 km
C3 women	25 km
C2 women	20 km
C1 women	20 km
T2 men	20 km
T1 men	15 km
T2 women	15 km
T1 women	15 km
H5 men	30 km
H4 men	30 km
H3 men	30 km
H2 men	20 km
H1 men	20 km
H5 women	30 km
H4 women	20 km
H3 women	20 km
H2 women	20 km
H1 women	20 km

(text modified on 26.06.07; 01.02.08; 01.02.09; 01.01.10; 01.02.11; 01.10.13; 01.02.14)

Starting Order for Time Trials

16.7.010 The UCI may decide to have several sport classes and/or age categories start together as one group.

The starting order of sport classes in time trials shall be established in such a way as to minimise the possibility of the athletes of one sport class passing the athletes of another sport class (i.e.: C5-C4-C3, etc). Within each sport class, age category or group, the starting order shall be determined as follows:

For events that are solely time trials:

1. The reverse order of the most recently published general UCI Ranking;
2. The reigning Time Trial World Champion or outgoing Time Trial World Champion.

For stage races:

1. The reverse order of the event's provisional general classification.

For stage races in which the first stage is a time trial:

1. The reverse order of the most recently published general UCI Ranking;
2. The reigning Time Trial World Champion.

In all cases, the commissaires panel may modify this order for the T1-2 sport classes and H division if the course is too narrow. In this special case, the starting order of the athletes will commence with the fastest riders and conclude with the slowest riders in order to ease any problems of riders passing each other during the event.

(text modified on 01.01.10; 01.02.11; 01.10.11)

16.7.011 For time trial, following cars will be authorized according to the following terms:

- 1 following car for a nation (i.e.: including national team, individuals and any other team recommended by the National Federation) with up to six riders involved in the individual time trial, all sport classes combined;
- 2 following cars for a nation with 7-12 riders involved in the individual time trial, all sport classes combined;
- 3 following cars for a nation with 13-19 riders involved in the individual time trial, all sport classes combined;
- 4 following cars for a nation with over 20 riders involved in the individual time trial, all sport classes combined.

The president of the commissaires panel can reduce the number of accredited vehicles if he considers it appropriate. All vehicle drivers must hold a UCI license issued by their national federation.

(text modified on 01.01.09; 01.10.11)

§ 3 Team Relay (TR)

16.7.012 Races shall be for athletes of the following sport classes:

- Men: H5; H4; H3; H2; H1
- Women: H5; H4; H3; H2; H1

A team shall be composed of three athletes plus substitutes. The team can be mixed, therefore composed with athletes coming from the sport classes listed above.

For all para-cycling TR competitions, the maximum shall be two teams for any given structure (national team, trade team...). A third team may be registered for each structure only if it is an all women's team. Looking at the following table, the total of points for the three TR participants must be a maximum of six (6) points including an athlete with a scoring value of one point. At the *World Championships*: The titles belong to athletes that compose the team.

Sport Class and Gender	Points
H5 men	3
H4 men	3
H3 men	2
H2 men	1
H1 men	1
<hr/>	
H5 women	2
H4 women	2
H3 women	1
H2 women	1
H1 women	1

(text modified on 01.02.11; 01.10.12; 01.02.14)

- 16.7.013** The Team manager must give the names and sport classes that make up their team as well as the order in which the athletes will be placed in the relay. The order needs to be provided to the president of the commissaires panel at the latest 1 hour after the end of the last event involving H division athletes. This start order may not be altered subsequently.

If the team relay is the first race involving athletes from Division H, The order needs to be provided to the president of the commissaires panel at the latest 1 hour after the team managers meeting.

(text modified on 01.01.11; 01.10.11; 01.01.16)

- 16.7.014** The first wave of athletes will start all together and compete like in a regular road race. As soon as an athlete from a team completes his lap and passes in front of his teammates, the next athlete will start his lap.

It is the responsibility of the team managers to give the start to their riders when the relay is passed to another athlete. A commissaire will supervise the relay zone and in case of a false start, a penalty of 10 seconds will be given to the team. The team managers are free to choose which athlete of their team will have to serve the penalty time in a dedicated box located near the relay area. If a penalty is not served before the end of the race, the team will be disqualified. If the false start happens with the last rider on the last lap, a penalty of 10 seconds will be added directly to the results and the athlete will not need to serve his time in the box.

A false start consists of an athlete who takes the relay of his teammate before he crosses the relay line. Helping a rider to start by pushing or pulling his handcycle will also be considered as a false start. A false start done more than 3 seconds before the teammate crosses the relay line will automatically result in the disqualification of the team.

(article introduced on 01.01.11; text modified on 01.01.16)

- 16.7.015** The staging for the following laps will be determined by team according to the result of previous *World Championships* (first five (5) positions). These teams will be entitled to choose their corridor for staging. The other teams staging will be done by draw.

(text modified on 01.02.11)

- 16.7.016** When a rider from a nation is lapped by the leader of the race, the nation should be pulled out of the race and will be shown in the results as lapped.

(article introduced on 01.02.11)

- 16.7.017** Each team is allowed two staff in the relay area in order to support its athletes.

(article introduced on 01.02.11)

Chapter VIII TRACK RACES

16.8.001 Track events are only open to athletes part of the sport classes C and B.

(text modified on 26.06.07; 01.02.08; 01.01.10; 01.01.16; 01.02.17)

16.8.002 Starting blocks must be used for all sport classes during the following track events: individual pursuit, first rider of the team sprint and kilometer/500 meters.

A 15 seconds countdown will commence when the riders are secured on their bikes and ready to start.

During these events, foam pads shall not be used in the first half of the bend.

(article introduced on 01.01.09; text modified on 01.02.17)

§1 Kilometer and 500 Meters

16.8.003 Races shall be for the following sport class and distances:

Sport Class	Distance
Tandem men and women - B	1000 m
Cycle men – C5; C4; C3; C2; C1	1000 m
Cycle women – C5; C4; C3; C2; C1	500 m

(text modified on 01.02.09; 01.01.10)

§2 Individual Pursuit

16.8.004 Races shall be for the following sport class and distances:

Sport Class	Distance
Tandem men – B	4000 m
Cycle men – C5; C4	4000 m
Cycle men – C3; C2; C1	3000 m
Tandem women – B	3000 m
Cycle women – C5; C4; C3; C2; C1	3000 m

(text modified on 01.02.09; 01.01.10)

16.8.005 Considering the variety in the types of handicap in the “C” division, it is recommended to match up athletes with similar handicaps during the qualification for the track individual pursuit, in order not to penalise or favour certain athletes. This consideration will have precedence in the pairing of the athletes.

(article introduced on 01.01.09; modified on 01.01.10)

16.8.006 When a factor is used for athletes' classification in the track individual pursuit, the athletes will evolve alone in the finals (gold-silver), (bronze-fourth) if they are not part of the same sport class and will be matched up only if they are part of the same sport class.

(article introduced on 01.01.09)

§3 Tandem Sprint

16.8.007 Races shall be for blind and visually impaired – men and women.

(text modified on 01.02.08)

Sprint Format

16.8.008 Paralympic Games and *UCI World Championships*

The qualifying time for the TS will be measured over 200 m. After the qualifying round, eight fastest riders will advance to the sprint tournament.

Starters	System	Event	Composition	1st	2nd
8	¼ Finals 4x2 → 1=4 (in 2 heats, 3 if required)	1	N1-N8	1A1	1A2
		2	N2-N7	2A1	2A2
		3	N3-N6	3A1	3A2
		4	N4-N5	4A1	4A2
4	½ Finals 2x2 → 1=2 (in 2 heats, 3 if required)	1	1A1-4A1	1B1	1B2
		2	2A1-3A1	2B1	2B2
4	Finals 7-8 2x1 → 1=2	1	1A2-2A2	7 th	8 th
	Finals 5-6 2x1 → 1=2	2	3A2- 4A2	5 th	6 th
4	Finals 2x2 → 1=2 (in 2 heats, 3 if required)	1	1B2-2B2	3 rd (Bronze)	4 th
		2	1B1-2B1	1 st (Gold)	2 nd (Silver)

(article introduced on 01.01.09; text modified on 01.07.11)

§4 Team Sprint (TS)

16.8.009 Races shall be for:

- Men – C5; C4; C3; C2; C1
- Women – C5; C4; C3; C2; C1

A team should be composed of three athletes plus substitutes. The team can be mixed, therefore composed with athletes coming from the sport class listed above.

For all para-cycling TS competitions, the maximum shall be one team for any given structure (national team, trade team...). A second team might be registered for each structure only if it is an all women's team. Looking at the following table, the total of points for the three TS participants must be a maximum of 10 points.

Gender, Sport Class	Points
Men C5	4
Men C4	4
Men C3	3
Men C2	2
Men C1	1
Women C5	3
Women C4	3
Women C3	2
Women C2	1
Women C1	1

During qualification phases, one single team can be on the track at a time, while during finals, two teams can be on the track at the same time.

(text modified on 26.06.07; 01.02.09; 01.01.10; 01.06.10; 01.02.11; 01.02.12)

- 16.8.010** This event consists of two series. The first series is a qualifying round, **where teams shall ride alone against the clock, to determine the four fastest teams which shall then contest the finals. During the finals, teams shall compete against each other. The teams having made the two best times shall ride the finals for the first and second places, the two others shall ride the finals for third and fourth places.**

(article introduced on 01.01.09, text modified on 01.02.17)

- 16.8.011** [article abrogated on 01.02.09]

- 16.8.012** [article abrogated on 01.02.09]

§5 Scratch Race

- 16.8.013** Articles 3.2.173 and the following apply for scratch races in track para-cycling, with the exception of the provisions described below.

(article introduced on 01.10.13)

- 16.8.014** For each sport class, the distances are the following:

Sport Class	Distance
Men Cycle – C5; C4; C3; C2, C1	15 km
Women Cycle – C5; C4; C3; C2, C1	10 km

Sport classes will be regrouped as follow, for both men and women:

- C4-5: Maximum of two athletes per nation
- C1-3: Maximum of two athletes per nation

Nations are allowed to enter two athletes of the same sport class in each of the sub-mentioned groups.

(article introduced on 01.10.13; text modified on 01.01.16)

Chapter IX WORLD RECORDS

16.9.001 The world record is the exclusive property of the UCI.

New world records will be recognised and ratified by the UCI only.

(text modified on 26.06.07; 01.10.11; 01.07.12)

16.9.002 A new world record submission will only be accepted from an athlete who has a confirmed (C) or review (R) status for the sport class in which the new record was set. The athlete must also possess a valid international racing licence from a UCI affiliated national cycling federation.

Changes of sport class result in the cancellation of the record.

(text modified on 01.02.11; 01.07.12)

16.9.003 Only world records (except the hour records) set during a competition on the international or national calendar may be recognised.

The hour record may be set during a special attempt that shall be ridden in accordance with the relevant UCI Regulations. Any special hour record attempt requires the prior written authorisation of the UCI. The authorisation is subject to the requirements described from articles 3.5.005 to 3.5.013 and 3.5.015 of the UCI Regulations.

Only world records attempted on a traditional bicycle, as defined in articles 1.3.006 to 1.3.010 and 1.3.019 of the UCI Regulations, including tandem may be homologated. Handcycles and tricycles can therefore not make a request for the homologation of a world record.

Records must be set on a UCI-approved track.

(text modified on 01.02.08; 01.02.09; 01.07.12; 01.01.16)

16.9.004 World records are solely recognised for the events and sport classes indicated in article 16.8.003, 16.8.004, 16.8.007, 16.8.009 (on 250 m track only) as well as the 200 m and the hour record.

The para-cycling hour record attempt shall be conducted according to the articles 3.5.026 to 3.5.033 of the UCI Regulations.

(text modified on 1.02.11; 1.10.11; 1.07.12; 01.01.16)

16.9.005 A succinct report specifying the circumstances in which the record has been set shall in all cases be drawn up on the template provided by the UCI. The report shall be immediately written and signed by the UCI international commissaire, by at least one other official present and by the athlete(s) who set the record.

See appendix 1

(article introduced on 01.07.12)

- 16.9.006** Except for records set during the Paralympic Games, *World Championships* and World Cup events, no world record can be ratified if the athlete in question did not submit to an anti-doping control in accordance with the UCI Anti-doping Rules at the end of the race. For team events, all team members who have set the new record shall submit to the test.

The costs of such an anti-doping control shall be borne by the national federation of the athlete(s) concerned.

Any world record can be ratified only if the doping control the athlete(s) underwent has proven negative.

(article introduced on 01.07.12)

- 16.9.007** No record shall be ratified if it does not comply with all applicable provisions.

(article introduced on 01.07.12)

- 16.9.008** A record broken the same day shall not be ratified.

(article introduced on 01.07.12)

- 16.9.009** Records performed during World Cup events, *World Championships* or Paralympic Games may be ratified by a certified copy of the official result communiqué, signed by the president of the commissaires' panel and by the UCI Technical Delegate.

(article introduced on 01.07.12)

- 16.09.010** A world record shall be recognised only if ratified by the UCI.

(article introduced on 01.07.12)

- 16.09.011** A request for ratification shall be lodged by the athlete that set the record or by his national federation. To be considered, the request shall have reached the UCI headquarters at the latest one month after the date the record was set.

(article introduced on 01.07.12)

- 16.09.012** If the UCI considers that there exist circumstances opposing ratification of a world record, it shall invite the athlete or his representative to elucidate those circumstances before taking a decision. If that is not done and if the record is not ratified the athlete may lodge an appeal with CAS.

(article introduced on 01.07.12)

16.09.013 The UCI also ratifies and recognises Paralympic records.

(article introduced on 01.07.12)

Chapter X RACE CLOTHING

16.10.001 For race clothing provisions, articles 1.3.026 and the following apply.

(article introduced on 01.10.13)

16.10.002 For all sport classes in road events, athletes are required to wear a helmet in the correct sport class colour, or use an appropriately coloured helmet cover, as follows:

Red	C5 men / women
	T2 men
	H4 men / women
	B men
White	C4 men / women
	H3 men / women
	B women
	T2 women
Blue	C3 men / women
	H2 men
	T1 women
Black	H5 men / women
	C2 men / women
	T1 men
Yellow	C1 men / women
	H2 women
Green	H1 men
Orange	H1 women

The athletes' sport classes are recognisable by using the above-mentioned helmet colours, which enable the commissaires and public to detect without delay and confusion the group they belong to. Athletes using the wrong colour helmet in road events will not be allowed to start or will be withdrawn from the race and disqualified.

(text modified on 26.06.07; 01.02.09; 01.01.10; 01.07.10; 01.10.13; 01.02.14; 01.01.16)

Tandem

16.10.003 Athletes competing on a tandem must wear identical race clothing (jersey, shorts), except case described in article 1.3.063.

(text modified on 01.10.13 ; 01.10.13)

Use of Catheters

16.10.004 It is mandatory for cyclists who use catheters or other urinary diversion devices to prevent spillage by using a catheter bag at all times. This includes during training, competition and classification. The penalty structure will be in compliance with Part 12, article 12.1.040, penalties for helmet infringements, points 3.2 and 3.3.

(text modified on 01.02.09; 01.10.13)

Chapter XI MEDALS AND JERSEYS FOR UCI PARA-CYCLING WORLD CHAMPIONSHIPS

See part IX of UCI regulations.

Chapter XII PENALTIES

16.12.001 In para-cycling competitions, any participant who commits an infraction of regulations will be subject to the disciplinary procedures and sanctions of the UCI.

(text modified on 26.06.07)

Chapter XIII ANTIDOPING

- 16.13.001** Drug testing and health checks may be carried out at any para-cycling competition using UCI rules. The refusal of an athlete to submit to these checks will be treated as if the athlete tested positive, or failed a health check.

(text modified on 26.06.07)

Chapter XIV EQUIPMENT REGULATIONS

- 16.14.001** All cycles used in UCI para-cycling world championships or in any other UCI events have to meet the current requirements of the UCI Regulations, (Part I, Chapter III). For morphological, or disability reasons, exceptions may be permitted, but the principle of the UCI regulations for cycles must be followed. For example: A handlebar adaptation **is may be** allowed for athletes with upper limb disabilities, if the athlete needs the adaptation to operate gear and brake levers, there is no unfair aerodynamic advantage and safety is not compromised. **Such a handlebar needs to be approved by the UCI through the procedure described at article 16.14.002 of the UCI Regulations.**

(text modified on 26.06.07; 01.02.17)

- 16.14.001 bis** All the prevailing UCI Approval Protocols, available on the UCI website, must be respected where appropriate.

(article introduced on 01.10.13)

- 16.14.002** A All requests **of homologation** for **prostheses, orthoses or** impairment adaptations to any cycle must be submitted in writing with proper explanation and pictures to UCI for approval, in accordance with the procedure established by the UCI available on its website. Such request must be received at the UCI at least three months before any event that the athlete review (R) or confirmed (C) wants to participate in. New athletes (N) must submit such request one month before the date of the event must be provided in the request. In case the adaptation is approved, approval number (self-adhesive) and a certificate will be sent to the athlete to present at any event.

All adaptations, prostheses or orthoses must be approved by the UCI prior to the event. Athletes are not allowed to race without an approved device.

(text modified on 26.06.07; 01.01.10; 01.07.13; 01.02.17)

- 16.14.003** The UCI or competition officials shall not be liable for any consequences deriving from the choice of equipment and/or any adaptations used by licence-holders, nor for any defects it may have, or its non-compliance.

- 16.14.003 bis** In no case may an energy storage or assistance mechanism be integrated into an orthopaedic brace/prosthesis.

Regarding mechanical orthopaedic braces/prostheses for the lower limbs, the pivot point of the axis of the knee must be at the position equivalent to that for the femur of an unaffected limb.

(article introduced on 01.07.13)

- 16.14.004** Artificial handgrips and prosthesis are allowed on upper disabled limbs, but not fixed to the cycle. For reasons of safety in the event of a fall, mounted or fixed orthopaedic

braces/prostheses or fastened limbs on parts of the cycle, are not allowed. In any cases, a safety mechanism has to be installed.

Except for handcycles, a cyclist's position shall be supported solely by the pedals, the saddle and the handlebar.

(text modified on 01.07.13)

- 16.14.005** An athlete with above knee amputation may use a support for the thigh only if, for safety reasons, there is no fixation of the thigh to the bicycle. This means, that the support may be a half tube attached to the cycle, with a closed base and maximum of ~~40~~ 15 cm closed side at the base. In any cases, if a fixing device ~~s thigh~~ is used to ~~a the~~ half tube, a **safety release** mechanism has to be installed.

(text modified on 01.01.09; 01.01.10; 01.01.16; 01.02.17)

- 16.14.006** Bicycles, tandems, tricycles and handcycles used in road events must have two independent braking systems. Bicycles and tandems must have an independent brake on each wheel.

Handcycle: If there is a braking system for the double wheels of a handcycle, it must act on both wheels. The braking systems must be dynamic; braking on just one wheel is not permitted. **Disc brakes are authorised.**

Tricycle: Tricycles must have two braking systems, one at the front and one at the rear. The braking system on the double wheels must be dynamic and act on both wheels. Disc brakes are authorised for use on double wheels.

(text modified on 01.01.10; 01.10.13; 01.02.17)

- 16.14.007** In UCI para-cycling road world championships, where neutral race service is offered, it is probable that only standard bicycle wheels will be available. Therefore, it may not be possible to provide neutral service to tandem frames with hub spacing wider than a standard road bicycle. Also, it is very unlikely that neutral spare tricycle wheels will be available, or spare wheels suitable for handcycles, except where any wheel is interchangeable with a standard bicycle road wheel.

(text modified on 26.06.07)

- 16.14.008** With regards to the use of radio links or other means of remote communication during racing, article 2.2.024 applies.

(text modified on 01.02.11; 01.10.11)

Chapter XV TANDEM BICYCLE

Definition

- 16.15.001** The tandem is a vehicle for two cyclists, with two wheels of equal diameter, which conforms to the general principles of UCI construction for bicycles. The front wheel shall be steerable by the front rider, known as the «pilot». Both riders shall face forward in the traditional cycling position and the rear wheel shall be driven by both cyclists through a system comprising pedals and chains.
- 16.15.002** The tandem top tube and any additional strengthening tubes, may slope to suit the morphological sizes of the riders.
- 16.15.003** [\[article abrogated on 01.02.17\]](#)

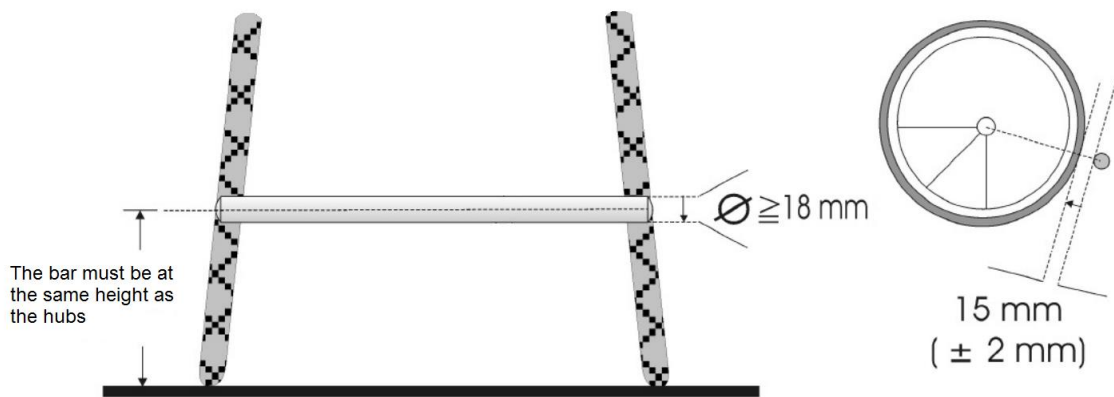
Chapter XVI TRICYCLE

Definition

- 16.16.001** The tricycle is a vehicle with three wheels of equal diameter. The front wheel, or wheels, shall be steerable; the rear wheel, or wheels, shall be driven through a system comprising pedals and a chain.
- 16.16.002** Recumbent pedal tricycles are not permitted in UCI para-cycling competitions.
(text modified on 26.06.07)
- 16.16.003** A tricycle with two rear wheels shall conform to UCI construction and measurements for a bicycle, including the bottom bracket, seat tube and saddle position, but excluding the rear triangle.
- 16.16.004** A tricycle with two front steerable wheels shall conform to the general principles of UCI construction and measurements for a bicycle, including the rear triangle.
- 16.16.005** Wheels of the tricycle may vary in diameter between 70 cm maximum and 55 cm minimum, including the tire, using conventional cycle components. Modified hub attachments may be used if necessary. The width of tricycle double wheels may vary between 85 cm maximum and 60 cm minimum, measured at the centre of each tire where the tires touch the ground.
- 16.16.006** If a tricycle two-wheel rear axle does not have a differential, only one wheel must be driven, due to the different speeds of the wheels in bends.
- 16.16.007** A tricycle shall not measure more than 200 cm in length and 95 cm in width overall.
- 16.16.008** To facilitate easy mounting by the rider, the tricycle top tube may slope down rearwards, with the limit being parallel with the down tube.
- 16.16.009** The two wheels of a tricycle may be offset a maximum of 10 cm either side of a centreline which passes through the single wheel and the frame top tube.

16.16.010 In road races, a tricycle with two rear wheels shall be fitted with a safety bar to prevent the front wheel of a following tricycle from entering the space between the rear wheels. The safety bar must be well fixed to the tricycle so that there is no risk of the bar moving during competition. The distance from the ground to the centre of the safety bar should be the same as the distance between the ground and the middle of the hub when the tires are inflated to the pressure used in competition. **The safety bar must not exceed the width of each rear wheel tire and all tube ends closed or plugged. The safety bar must be fitted 15 mm (+/- 2 mm) behind the wheels. It must be a round tube of at least 18 mm in diameters, made of adequate solid material. Both tube ends must be plugged (see drawing).**

DRAWING:
Safety Bar
 (not true to scale)



(text modified on 01.01.09; 01.01.10; 01.01.17)

Chapter XVII HANDCYCLE

Definition

16.17.001 A handcycle is either an arm powered (AP), arm-trunk powered (ATP) or kneeling position (HK), three wheels vehicle with an open frame of tubular construction, which conforms to the general principles of UCI construction for bicycles, except that the chassis frame tubes need not be straight and that for the seat or backrest construction, the maximum frame tube diameter may exceed the maximum defined by the general principles of UCI.

The single wheel may be of a different diameter to the double wheels. The front wheel, ~~or wheels,~~ shall be steerable; the single wheel, ~~at the front either front or rear,~~ shall be driven through a system comprising handgrips and a chain.

The handcycle shall be propelled solely, through a chainset and conventional cycle drive train, of crank arms, chainwheels, chain and gears, with handgrips replacing foot pedals. It shall be propelled from the hands, arms and upper body mainly.

(text modified on 01.02.09; 01.07.10; 01.02.17)

16.17.002 In the recumbent position, the athlete must have a clear vision. As such, the horizontal of his eye line must be above the crank housing/crank set, when he is sitting with his hands on the handlebars facing forward at full extent, the tip of his shoulder blades in contact with the backrest and his head in contact with the headrest, when applicable. A quick release body harness is permitted.

The measurement will be made as follows; from the position described above, the distance will be measured from the ground to the centre of the eyes of the athlete seated and compared to the distance between the ground and the middle of the crank housing / crank set. The distance from the eyes to the ground needs to be at least equal or greater than the distance of the middle of the crank housing to the ground.

(text modified on 01.01.04; 01.02.09)

16.17.003 For the individual road race, the recumbent handcycle must have a mirror fixed either to the helmet of the athlete or at any point of the front of the bike in order to ensure rear view vision.

(text modified on 01.02.09; 01.02.11)

16.17.004 In the kneeling position, the athlete's legs and feet must be supported and protected from the ground surface.

(article introduced on 01.02.09)

16.17.005 There should be no adjustment made possible to the equipment during the race. All adjustments must be made prior to the start of the race.

(article introduced on 01.02.09)

16.17.006 [article abrogated on 01.02.09]

16.17.007 Wheels of the handcycle may vary in diameter between a minimum (ETRTO) 406 mm and a maximum of 622 mm. Modified hub attachments may be used if necessary. The width of handcycle double wheels may vary between 55 cm minimum and 70 cm maximum, measured at the centre of each tire where the tires touch the ground.

(text modified on 01.01.04; 01.02.09)

16.17.008 Disk wheels are accepted for handcycle in the mass start competitions.

(article introduced on 01.02.09)

16.17.009 A handcycle shall not measure more than 250 cm in length. Its maximum width shall be 75 cm overall.

(text modified on 01.01.04; 01.02.09; 01.01.16)

16.17.010 The shifting device should be within the extremities of the handlebars, except for H1, who can fit their shifting device on the side of their body to allow for their arm to shift gears.

(text modified on 01.02.09; 01.01.10)

16.17.011 The largest chain ring shall have a guard securely fitted to protect the rider. The protection shall be made of adequate solid material and fully cover the chain ring over half of its circumference (180°) facing the rider.

Protections which don't fully cover the chain, such as mountain bike chain guide, are not allowed.

(text modified on 01.01.04; 01.01.10; 01.01.16)

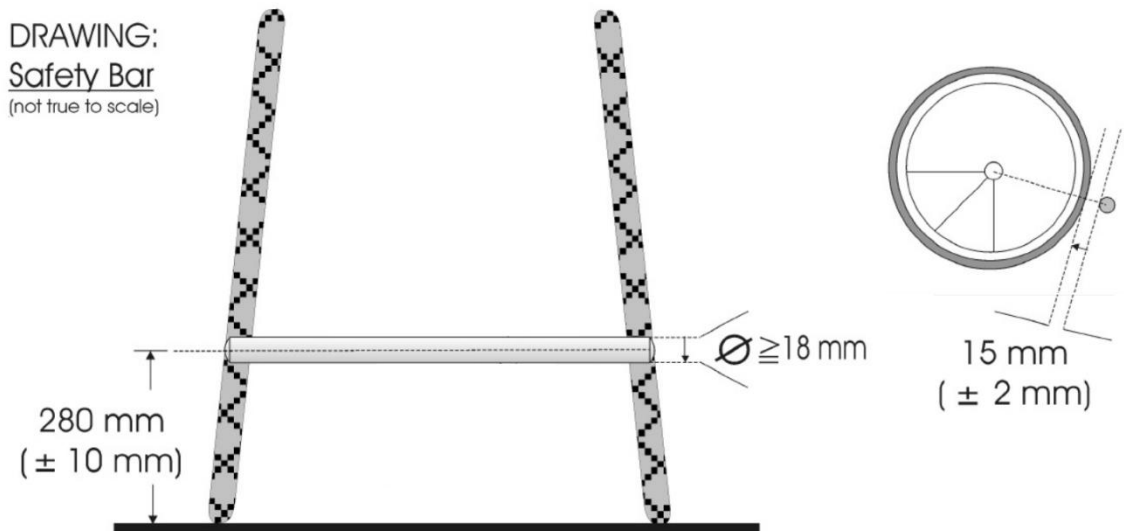
16.17.012 Any fillets, or ribs, inserted at joins between tubes, shall be for strengthening purposes only. Non-functional, aerodynamic devices are not permitted for competition.

(article introduced on 01.01.04; text modified on 01.02.17)

16.17.013 Leg and foot rests shall be fitted as necessary, with a secure means of protecting static lower limbs from all moving parts. Handcyclists must wear shoes or sufficiently stiff foot protection which covers completely the foot, for security measure, unless the handcycle has a shell / structure which allows the feet to rest with no risk of coming out. In such cases, athletes should at minimum be wearing socks. In all cases, the feet should also be fixed to the bike with some sort of device which prevents the feet from falling out of the footrest.

(text modified on 01.01.04; 01.02.09)

16.17.014 In road races, it is mandatory that a handcycle be fitted with a **rear** safety bar to prevent the front wheel of a following handcycle from entering the space between the rear wheels. A safety bar must not exceed the width of each rear wheel tire and all tube ends closed or plugged. The safety bar must be fitted 15 mm (+/- 2 mm) behind the wheels. It must be a round tube (at least 18 mm in diameters) made of adequate solid material. Both tube ends must be plugged. The distance between the ground and the bar axis must be 280 mm (+/- 10 mm). The structure and assembly of the safety bar must guarantee that normal bumps, which happen during a race, don't affect the safe functioning of the bar (see diagram).



(text modified on 01.01.04; 01.02.09; 01.02.17)

16.17.016 Race numbers must be fixed vertically at the back of the handcycle, in a way that allows the commissaires, teams and neutral service to see it properly during the race.

(article introduced on 01.02.17)

Chapter XVIII PARA-CYCLING INDIVIDUAL RANKING

(chapter changed on 01.02.09)

16.18.001 UCI has created a yearly ranking of riders per sport class and gender, on road and track. These individual rankings take in account the following events:

- Track: kilometer/500 m, sprint and individual pursuit, scratch race;
- Road: individual time trial and road race.

This ranking shall be called «UCI Para-cycling Individual ranking per sport class» and shall be the exclusive property of the UCI.

(text modified on 01.01.11; 01.10.11; 01.10.13)

16.18.002 The International Cycling Union has created a ranking comprising a number of competitions designated each year by the UCI Management Committee.

16.18.003 The ranking of each sport class shall be established according to the points obtained by riders participating in competitions on the international calendar, according to the following guidelines:

International Calendar

Paralympic Games and *World Championships*:

- Points will be awarded for each event in accordance with article 16.18.001.

World Cup:

- Points will be awarded for each event in accordance with article 16.18.001;
- Points from two rounds of the World Cup to count;
- Points from one World Cup round per region only to count.

Para-cycling races C1 and C2 (according to article 1.2.006, points are guaranteed for events that are registered on the UCI international calendar as C1 events):

- Minimum 1 class represented;
- Minimum 5 participating nations in Europe;
- Minimum 3 participating nations in America;
- Minimum 2 participating nations in Asia;
- Minimum 2 participating nations in Oceania and in Africa;
- An athlete has the right to accumulate C1 and C2 points on a single continent, the one where he has accumulated most points **per event class**;
- ROAD: Only the three best results from different **C1 competitions and the three best results from C2** competitions (general classification or the identified race (1)) will be accumulated in the UCI Para-cycling individual Ranking by Sport Class.

- TRACK: Only the two best results (in individual races, i.e. kilometer/500 m, individual pursuit, scratch race or tandem sprint) from different **C1** events and the two best results (in individual races, i.e. kilometer/500 m, individual pursuit, scratch race or tandem sprint) from different **C2** events will be accumulated in the UCI Para-cycling individual Ranking by Sport Class.

The UCI Para-cycling Individual Ranking by Sport Class begins afresh on January 1st of every year.

(text modified on 01.01.10; 01.02.11; 01.10.11; 01.10.13; 01.02.17)

16.18.004 The number of points to gain in every individual event is fixed according to the following table:

Rank	World Championships and Paralympic Games	World Cup	C1	C2
1	120	60	30	15
2	104	52	26	13
3	88	44	22	11
4	72	36	18	9
5	64	32	16	8
6	56	28	14	7
7	48	24	12	6
8	40	20	10	5
9	32	16	8	4
10	24	12	6	3

(text modified on 01.01.10; 01.01.11; 01.01.16; 01.02.17)

16.18.005 For every C1 competition, the UCI points will be awarded once by competition (finals) or individual race, regarding article 16.18.003.

For the competitions taking place in a tournament format, UCI points will be awarded according to the general classification of the competition. In the absence of general classification, the race which will award UCI points must be clearly identified on the program of the competition. In defect, points will not be awarded.

(text modified on 01.02.11; 01.02.12)

16.18.006 Ties on points between riders shall be resolved by counting up the greatest number of 1st places, 2nd places, etc. on the ranking of the races of the current year, taking into account the competition giving the most points, up through the C1 races.

16.18.007 National federations and organizers shall be required, immediately following the end of the race, to transmit to UCI headquarters by fax or e-mail the list of starters and complete results. For stage races and multi-race championships, this information shall be transmitted within 48 hours of the end of the last stage, or championship event.

The national federation of the organizer of the event shall also, within 48 hours of the final decision, communicate the downgrading of a rider to UCI headquarters. As a general practice, all national federations shall immediately communicate any facts or decisions that could result in an amendment to the points obtained by a rider.

Should any such information not be transmitted as indicated, the UCI may declassify the race in question or exclude it from the calendar, notwithstanding any other penalties provided for in the regulations.

(text modified on 26.06.07; 01.02.08)

- 16.18.008** The para-cycling road and track individual ranking shall be drawn up at least once a month when there is competition.

If need be, the ranking of preceding months will be corrected.

(text modified on 26.06.07; 01.02.09)

- 16.18.009** In case of rider's disqualification for any reason (including a classification change), the rider disqualified loses his points and his place is taken by the next rider in the ranking, in order that all places are always occupied. In case the disqualification happens after the publication of results and ranking, changes will be done on the following publication. Same procedure will also be applied to each stage in case of stage race.

During the competitions, if an athlete's sport class changes after the observation period or after a protest, the athlete can be re-introduced in the results and ranking of his new sport class if the race took place in the same session, in the same conditions and over the same distance. The re-introduction is possible only for individual time trial events.

(article introduced on 01.01.10; 01.01.16)

- 16.18.010** An athlete disqualification after a positive test of doping will invalidate his results, eliminate him for the ranking of the event and he will lose all his prizes, points and medals.

(article introduced on 01.01.10)

- 16.18.011** In case sport classes are merged, results will be presented as a group (sport classes merged) to reflect the way the race was held. However, points will be distributed by sport class, and each athlete's sport class must appear in the results.

(article introduced on 01.01.10)

Chapter XIX PARA-CYCLING NATIONS' RANKING

(chapter changed on 01.02.09)

16.19.001 The UCI has established a ranking by nation on both road and track.

The nations' ranking is drawn up on the basis of points obtained by the best athlete of each nation participating in international calendar competitions in accordance with article 16.18.003, for each event, sport class and gender.

The classification status of athletes taken into account for the nations' ranking must be review (R) or confirmed (C).

Points accumulated through the national championships are also taken into account for the nations' ranking.

This ranking shall be called «UCI Para-cycling Nations' Ranking».

(text modified on 01.07.10; 01.10.13)

National Championships

16.19.002 Points cumulated on the nations' ranking from the national championships will be awarded under the following principals:

Ten (10) points will be granted to nations, by sport class (C5, C4,...) and by gender, represented at the national championships (road and track), independently of the number of events in which the athletes participate and of the number of athletes in the sport class.

UCI is the exclusive owner.

(text modified on 01.01.10)

16.19.003 Para-cycling road and track nations' ranking will be established on December 31st of every year.

If need be, the nations' ranking will be corrected.

16.19.004 Points for team events will be awarded to the nations as follows, and in accordance with the table below:

- Men and women team event rankings are drawn up separately;
- In the case of a mixed team (men and women), each athlete will afford to his nation a third of the points available in either the men or women team event ranking (e.g.: a mixed team winning a round of the world cup made up of two men and one woman would give 20 points to the men's team ranking and 10 points to the women's team ranking);

- In the case of a composite team (different nations represented), each athlete affords his or her nation a third of the points on offer for the nation's ranking for team events (e.g.: a composite team winning a round of the world cup made up of two athletes from Nation A and one athlete from Nation B would contribute 20 points to the ranking for Nation A and 10 points to the ranking for Nation B);
- A team may be both mixed and composite;
- When more than one team is registered from a nation, or there are representatives of this nation in composite teams, only the best team, including composite teams, is taken into account for the nations' ranking.

Rank	World Championships and Paralympic Games	World Cup	C1	C2
1	120	60	30	15
2	104	52	26	13
3	88	44	22	11
4	72	36	18	9
5	64	32	16	8
6	56	28	14	7
7	48	24	12	6
8	40	20	10	5
9	32	16	8	4
10	24	12	6	3

(text modified on 01.01.11; 01.10.13; 01.02.17)

Chapter XX PARA-CYCLING WORLD CUP

(chapter changed on 01.02.09)

- 16.20.001** The International Cycling Union has created a «Para-cycling ROAD and Para-cycling TRACK World Cup», comprising a general individual ranking based on a number of competitions designated each year by the UCI Management Committee.

(text modified on 01.01.10)

- 16.20.002** The para-cycling world cup shall be the exclusive property of UCI.

- 16.20.003** Events selected for the para-cycling world cup are the following:

Road

- Road race – all divisions
- Individual Time Trial – all divisions
- Team relay – division H

Track

- Kilometer/500 m – divisions B & C
- Individual pursuit – divisions B & C
- Team sprint – division C
- Sprint – division B
- Scratch race – division C

(text modified on 01.01.10; 01.01.11; 01.10.13)

Participation

- 16.20.004** The competitions shall be for national selections or teams or individuals under recommendation of the affiliated National Cycling Federation.

- 16.20.005** For road events, the maximum number of participants per nation shall be six for road races and three for time trials for each sport class.

For track events, the maximum number of participants per nation shall be three for each specialty for each sport class.

In all para-cycling world cup events, the nation of the winner of the previous year's world cup shall have the right to an additional place to be taken up by that winner of the previous year's world cup. If this individual cannot take part, this place is not added to that nation's quota.

(text modified on 01.01.10; 01.10.11; 01.10.13)

- 16.20.006** National Federations shall confirm their participation by means of an enrolment form no later than three weeks before the first race of the World Cup. At the time of registration,

up to six substitutes can be added on the team for all classes combined. This confirmation shall mention the number of persons making up each delegation, registration of riders in each race as well as their sport class, accommodation used during the event, full coordinates of the team responsible and each athlete's time of arrival.

After the registration deadline (3 weeks before the world cup), no late registrations will be accepted and no changes will be allowed.

Starters must be confirmed in each sport class during the official confirmation time as announced in the technical program of the event.

A single representative for each National Federation shall proceed to confirm the starters for all the athletes of that nation, whether they are participating through the national team, as individuals or for any other team under the recommendation of the National Federation.

Last minute changes within registered athletes can only be done under medical certificate 24 hours before the start of its race.

(text modified on 01.02.11; 01.10.11; 01.10.12; 01.10.13; 01.01.16)

Starting Order for World Cup Road Races

16.20.007 The UCI may decide to have several sport classes and/or age categories start together as one group. Each sport class, age category or group thus constituted must start with a minimum time gap of two minutes to avoid the mixing of groups.

The riders will be called to the line by sport class, age category or group, in the following order:

1. The leader of the World Cup classification, or, for the first World Cup event of the season, the winner of the previous season's World Cup;
2. The Road Race World Champion or the year after the Paralympic Games, the reigning Paralympic Games champion;
3. The first five athletes, according to the order of the most recently published World Cup general classification, respectively the first five athletes in the general classification of the preceding year's world cup for the first World Cup.

Riders who need assistance at the start should place themselves near the barriers to facilitate a safe start for everyone.

(article introduced on 01.10.11; text modified on 01.10.12).

Starting Order for World Cup Time Trials

16.20.008 The UCI may decide to have several sport classes and/or age categories start together as one group.

The starting order of sport classes in time trials shall be established in such a way as to minimise the possibility of the athletes of one sport class passing the athletes of another sport class (i.e.: C5-C4-C3, etc).

Within each sport class, age category or group, the starting order is determined as follows:

In the first round:

1. Reverse order of the most recently published general UCI Ranking;
2. Reigning Time Trial World Champion or, the year following the Paralympic Games, the reigning Paralympic champion;
3. Winner of the previous year's World Cup.

From the second round on:

1. Reverse order of the general UCI Ranking;
2. Reverse order of the World Cup general classification;
3. Reigning Time Trial World Champion or, the year following the Paralympic Games, the reigning Paralympic champion;
4. World Cup leader.

In all cases, the commissaires panel may modify this order for the T1-2 sport classes and H division if the course is too narrow. In this special case, the starting order of the athletes will commence with the fastest riders and conclude with the slowest riders in order to ease any problems of riders passing each other during the event.

(article introduced on 01.10.11; text modified on 01.10.12)

16.20.009 [article abrogated on 01.01.10]

16.20.010 [article abrogated on 01.02.11]

16.20.011 [article abrogated on 01.02.11]

16.20.012 [article abrogated on 01.02.11]

16.20.013 [article abrogated on 01.02.11]

16.20.014 [article abrogated on 01.02.11]

Prizes

16.20.015 [article abrogated on 01.01.10]

16.20.016 [article abrogated on 01.01.10]

- 16.20.017** Subject to article 16.1.006, the first three riders in each race shall receive from the organizer, respectively, a gold medal (1st place), a silver medal (2nd place) and a bronze medal (3rd place).

(text modified on 01.07.11; 01.10.12)

Individual Ranking

- 16.20.018** At the conclusion of each individual race of each event, points are awarded to the first ten riders according to article 16.18.004 for the individual road or track para-cycling world cup ranking.

(text modified on 01.10.13)

Team Ranking (Team Relay and Team Sprint)

- 16.20.018 bis** At the end of each round of the world cup, the top ten teams will be awarded the number of points set out in the table in article 16.19.004 for the road or track para-cycling world cup team ranking.

Composite teams are not considered for the purposes of the para-cycling world cup team ranking.

For the Team Ranking of the para-cycling road world cup, when a nation has more than one team registered, all of its teams are taken into account in accordance with their order of finishing. In the second round of the world cup, teams are again considered in accordance with the order of finishing, regardless of the athletes making up the team. (And so on for the following rounds.)

Comment: In other words, in order to draw up the world cup team ranking, the highest placed team of a Nation (irrespective of the athletes it comprises, who may change from one round to the next) shall contribute the corresponding points to the ranking for that Nation.

The second-placed team of a Nation, irrespective of the athletes it comprises, shall not add points to the overall ranking but shall keep its place in the classification for the round of the world cup.

The same applies to the third-placed team of this Nation.

(article introduced on 01.10.13)

- 16.20.019** A «Para-cycling ROAD and Para-cycling TRACK World Cup» ranking by sport class and by gender will be published the week following every event.

At the conclusion of every competition, the tied riders in the general ranking will be decided by the greatest number of 1st places, 2nd places, etc. by considering only places awarding points. If they are still tied, the best ranking in the most recent event will serve as a tie breaker.

(text modified on 01.01.10)

16.20.020 The UCI awards a world cup winner's trophy to the top rider of the individual world cup ranking of each sport class and leading nation of the TR and TS rankings. The trophy is only awarded if at least two athletes, or two nations, have scored points in the final overall ranking.

(text modified on 01.01.10; 01.07.11; 01.10.11; 01.10.13)

16.20.021 The UCI awards a World Cup leader's jersey at the end of each World Cup leg to the leader of the provisional overall ranking of each sport class (individual road race and individual time trial combined). A leader's jersey will be awarded only if at least two athletes have marked points in the overall ranking.

The rider leading a world cup standings must wear the leader's jersey in every world cup event concerned, except in the opening event.

Both athletes of the tandem with the vision-impaired rider leading a world cup standing must wear the world cup leader's jersey, even if there is a change in pilot.

(article introduced on 01.02.11; text modified on 01.07.11; 01.02.12; 01.10.12)

16.20.021 bis At the end of each round of the world cup, the UCI awards world cup leader's jersey to the leading nation of the TR and TS provisional ranking.

The best team of a nation in an individual round of the world cup represents the nation during the podium ceremony.

The world cup TR and TS leader's jerseys are only awarded if at least two nations have scored points in the ranking.

The jersey must be worn during competitions, ceremonies and other official appearances, except in the opening event.

(article modified on 01.10.11; 01.10.13; 01.01.16)

16.20.022 The colours of leaders' jerseys are determined by the UCI.

(article introduced on 01.02.11)

16.20.023 The riders are permitted to put their own advertising logos on the leader's jersey as follows:

- a maximum of four (4) advertising logos are permitted;
- on the front of the jersey: on a maximum surface of 300 cm²;
- on the back of the jersey: on a maximum surface of 300 cm²;
- on the shoulders: a single logo of 5 cm per 7 cm;
- on the sides of the jersey: a single line of maximum 9 cm width and 15 cm height.

The design of the jersey received at the official ceremony must be respected.

For further details please refer to the brochure available on the UCI Website.

(article introduced on 01.02.11)

Chapter XXI WORLD CHAMPIONSHIPS QUALIFICATION SYSTEM

See Part IX: World Championships of UCI Regulations, articles 9.2.001 and following (General comments) and 9.2.025 and the following (Para-cycling).

Chapter XXII PARALYMPIC GAMES

- 16.22.001** Participation in cycling competitions at the Paralympic Games shall be governed by the rules of the International Paralympic Committee (IPC) and of the UCI.

Participation in the Paralympics shall imply acceptance and respect of the IPC rules and UCI regulations rules by the rider and any other license holder.

(text modified on 26.06.07)

Entries – Confirmation of Starters

- 16.22.002** The National Paralympic Committees shall enter their athletes in accordance with the participation limits, qualifying and reserve system approved by the IPC.

According to IPC rules, each NPC shall inform the organizing committee of the names of its athletes within the deadline fixed by the IPC.

Participation

- 16.22.003** To take part in the Paralympics, every athlete, including tandem pilots – shall:
- hold a UCI licence issued by a national cycling federation;
 - be at least 18 years old for both track and road events, or reach this age in the year of the Paralympics;
 - hold a para-cycling international functional classification designated C or R (Confirmed or Review Status) – not applicable to tandem pilots;
 - have participated in at least one international UCI Para-cycling during a period that spans two years before the Paralympics Game to July 15th the year of the Paralympics Games;
 - enter a minimum of two events (individual or team) in the Games Program.

(text modified on 26.06.07; 01.02.10; 01.10.12; 01.01.16)

Paralympic Road Race Circuits

- 16.22.004** Road race circuits for the Paralympic Games shall measure between 7 km and 15 km.

Circuits which are shorter than 7 km or longer than 15 km, but with unique, desirable features, may be permitted at the discretion of the UCI.

(text modified on 01.01.10; 01.01.16)

Chapter XXIII PARA-CYCLING TECHNICAL NOTES

- 16.23.001** All technical notes carry the same authority as UCI regulations. The technical notes will be subject to continuous revision by the UCI management committee, to reflect technological advances in world cycling and changes to UCI regulations.

(text modified on 26.06.07)

Appendix 1

**UCI
REQUEST FOR WORLD RECORD HOMOLOGATION**

Date of the performance:

Date of the request sent to UCI:

(The request shall reach the UCI no later than 1 month after the performance - Immediate notification by fax to UCI)

Secretary General of National Federation:

Velodrome

Location of Track (City and Country):

Track Measurement..... metres Material..... (wood, etc.)

Covered or Open:

UCI Homologation Date:

Information for Processing

Request for World Record / Best Performance Homologation for:

(Men - Women - Junior Men - Junior Women – Masters Men – Masters Women)

Distance:

Start (standing or flying):

Date of attempt or event: Result:

Complete name of the rider: Nationality:

UCI ID:Licence number:

Laboratory in charge of Doping Control analysis:

Time of the attempt or event:

During an event / Special Attempt:

Resume of record:

Attestation of the result by Officials

We, the undersigned officials confirm that the record information as set out within this document was achieved according to the UCI Regulation.

Position	Name (family)	Given Name	Signature
UCI Technical Delegate			
UCI International Commissaires			
Official Timekeepers			
(manual)			
(electronic)			
UCI Doping Control Officer			

To be enclosed: – Print out electronic timing slips
 – Doping control form

Place and date:

UCI International Commissaire Signature:

NB: This document is established in accordance with the world records / best performances regulations.